



SERIES 200

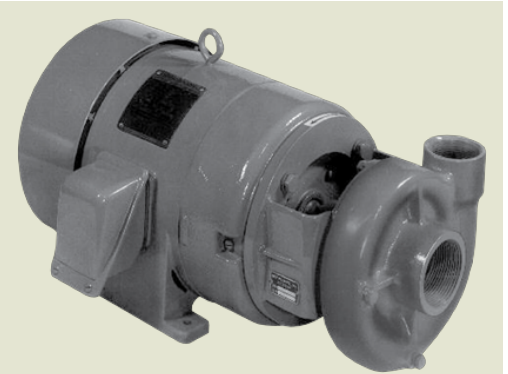
2-1/2" x 2" End Suction Centrifugal Pump

SERIES 200 centrifugal pumps are close-coupled to standard NEMA "C" face motors. All models are available in cast iron, bronze or aluminum construction to suit a wide variety of liquids.

All fasteners are stainless steel to reduce corrosion. Impellers are dynamically balanced to improve efficiency and bearing life.

Standard carbon / ceramic / Viton mechanical seal is self-adjusting and corrosion resistant to handle almost any liquid.

Completely tested "Wet End" PumPAKs are available without motors. The MP PumPAK® can be mounted to standard NEMA C frame motors in just minutes.



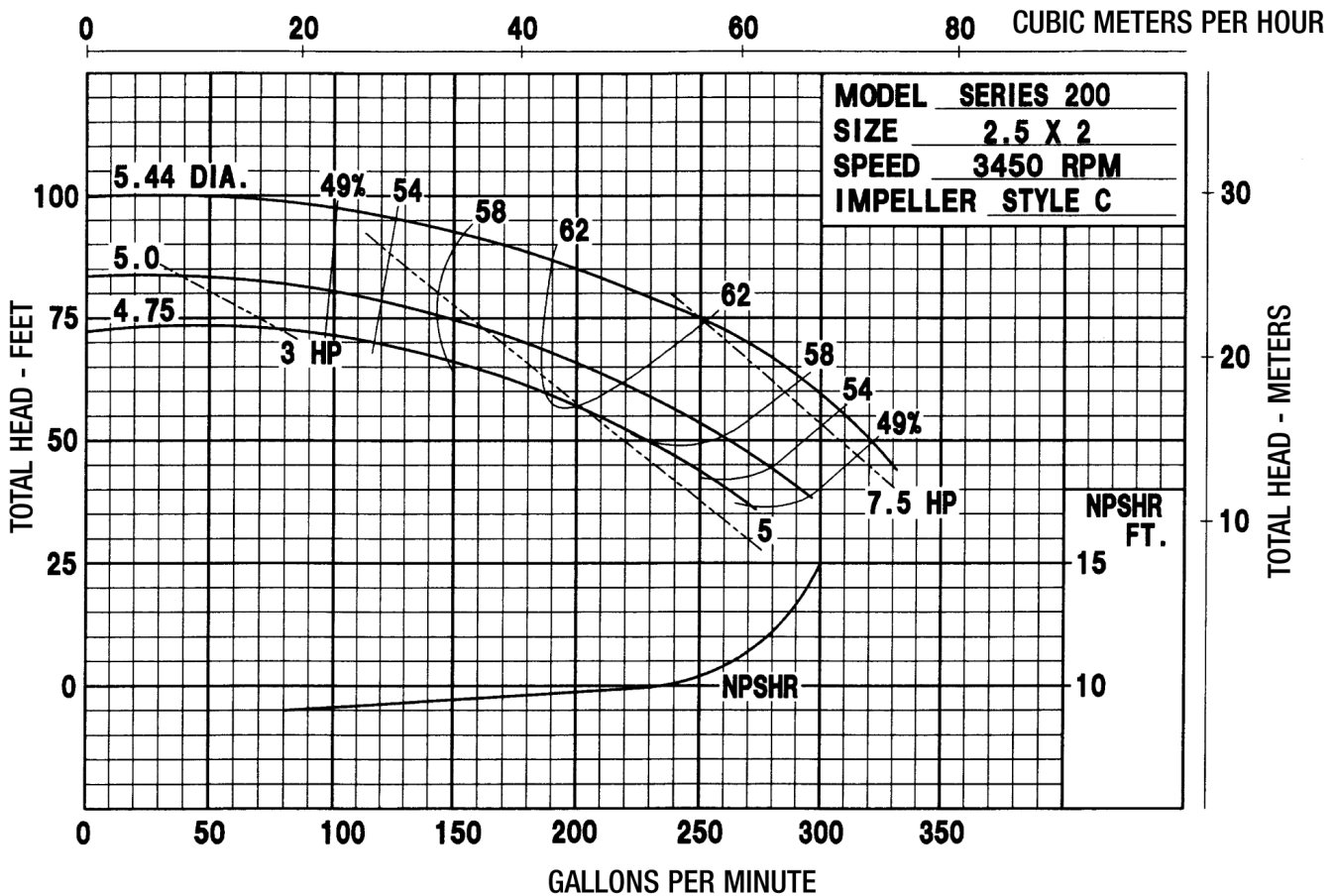
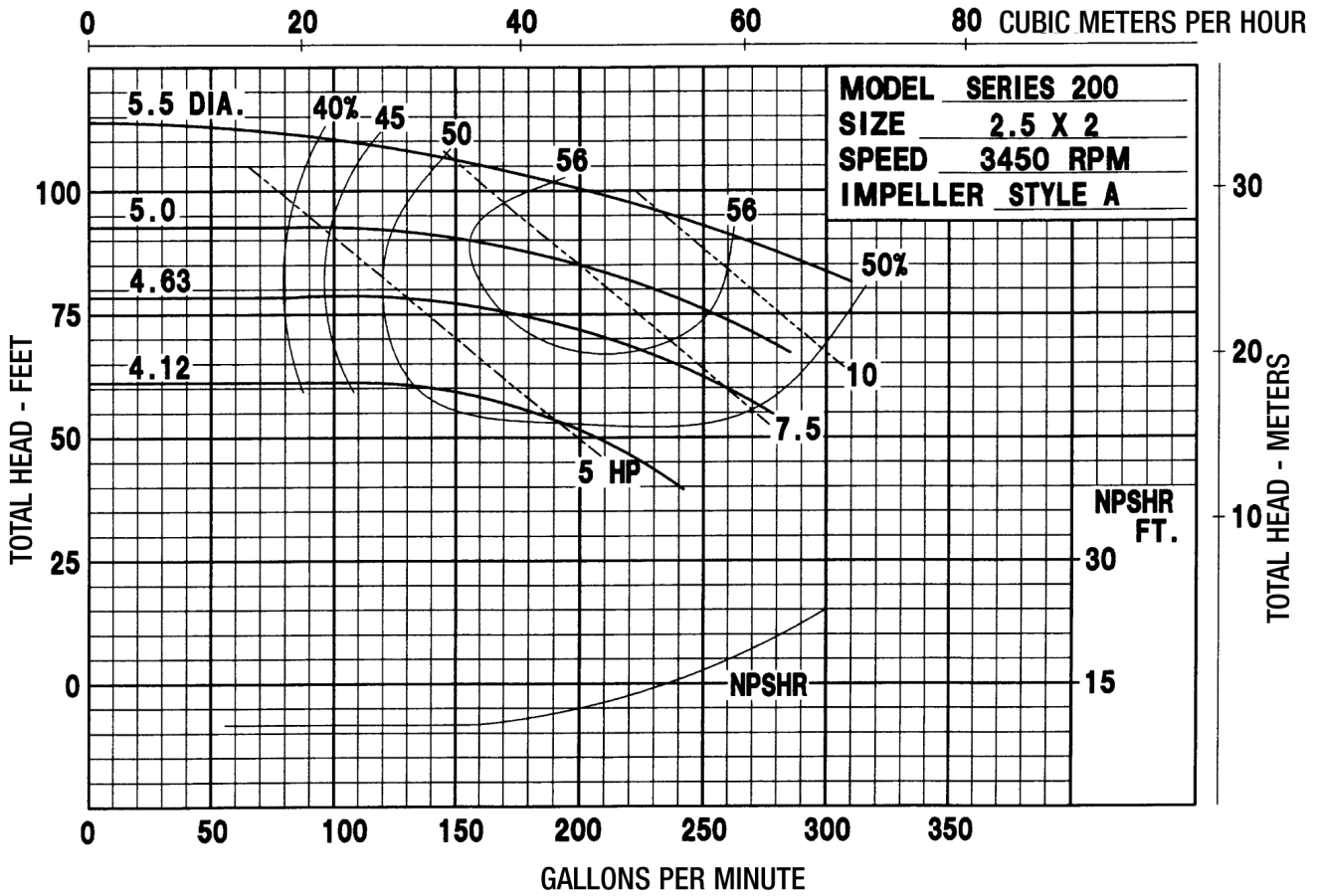
Application

- Agricultural
- Commercial
- Industrial
- OEM

SPECIFICATIONS:

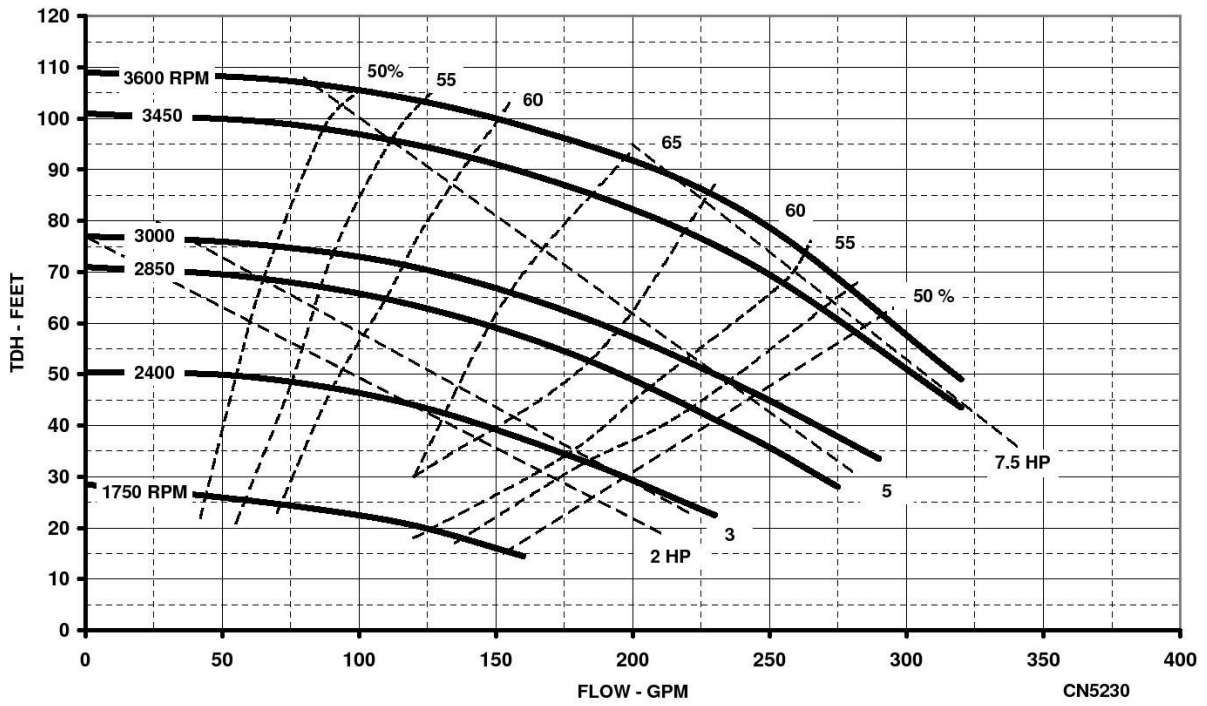
Suction And Discharge	2-1/2" x 2" NPT
Materials Of Construction	Bronze, Cast iron
Flow	Up to 300 GPM
Head Feet	Up to 115'
Impeller	5.5" semi-open
Motor	Up to 10 HP
Drive Options	Close coupled 184TC, Close coupled 215C, Hydraulic motor .73 cu. in., Pedestal
Seal	Special seal material combinations available (consult factory), Standard carbon / ceramic / Viton
Max Solid Size	.6"

SERIES 200

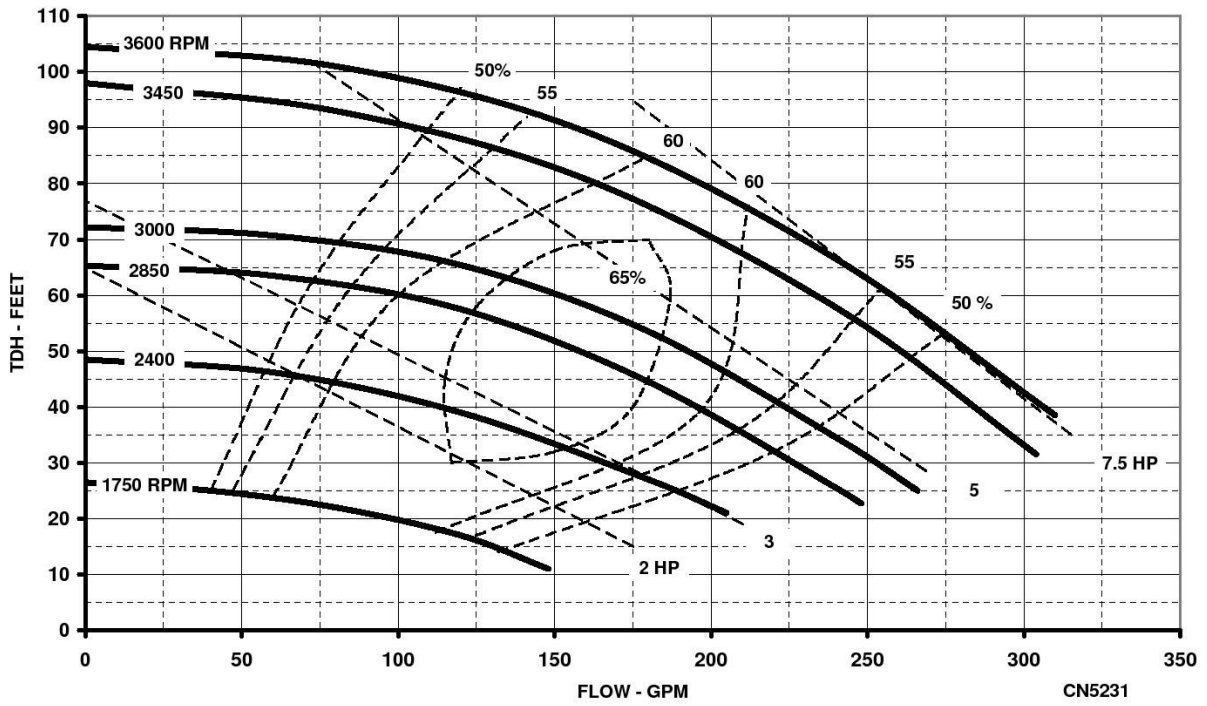


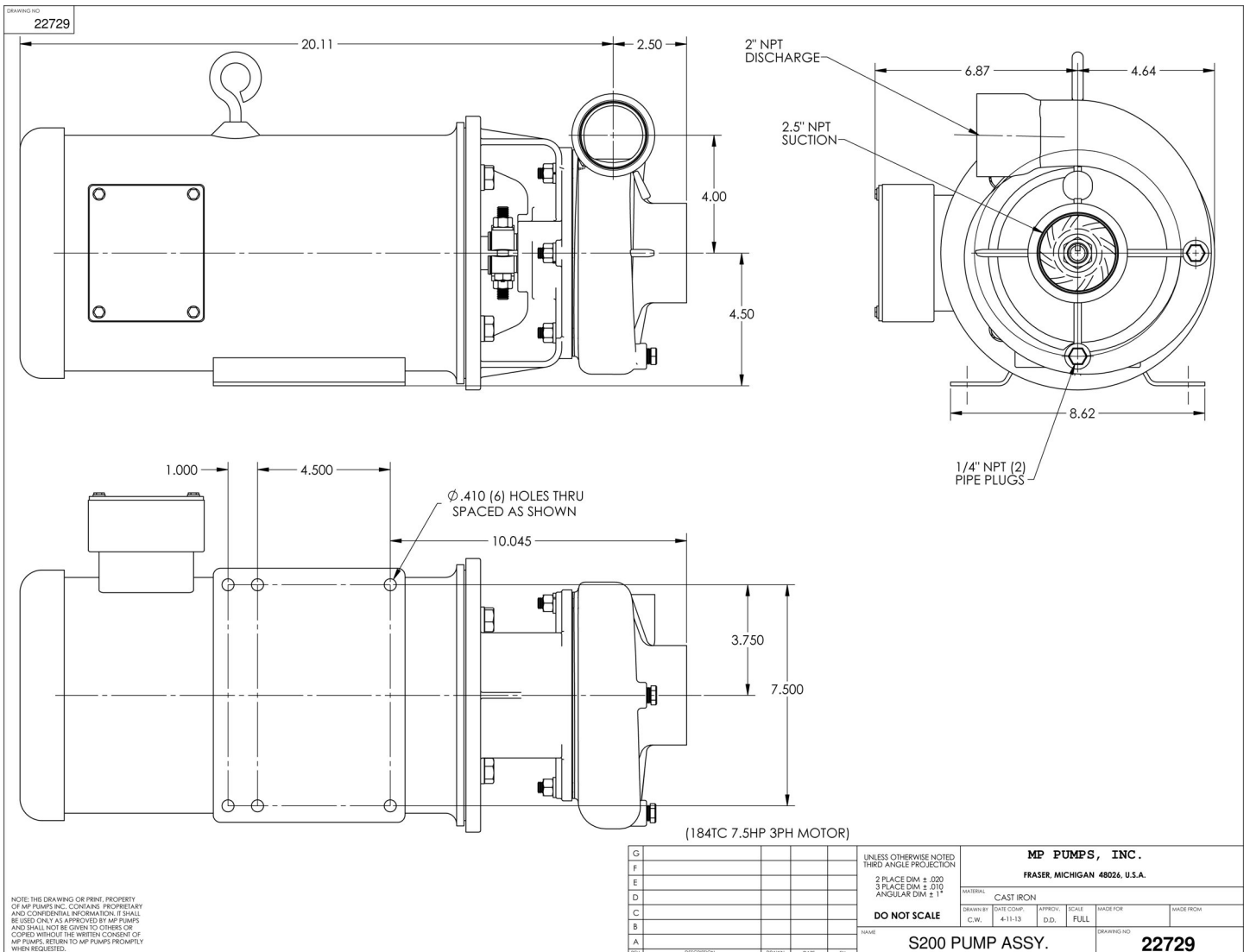
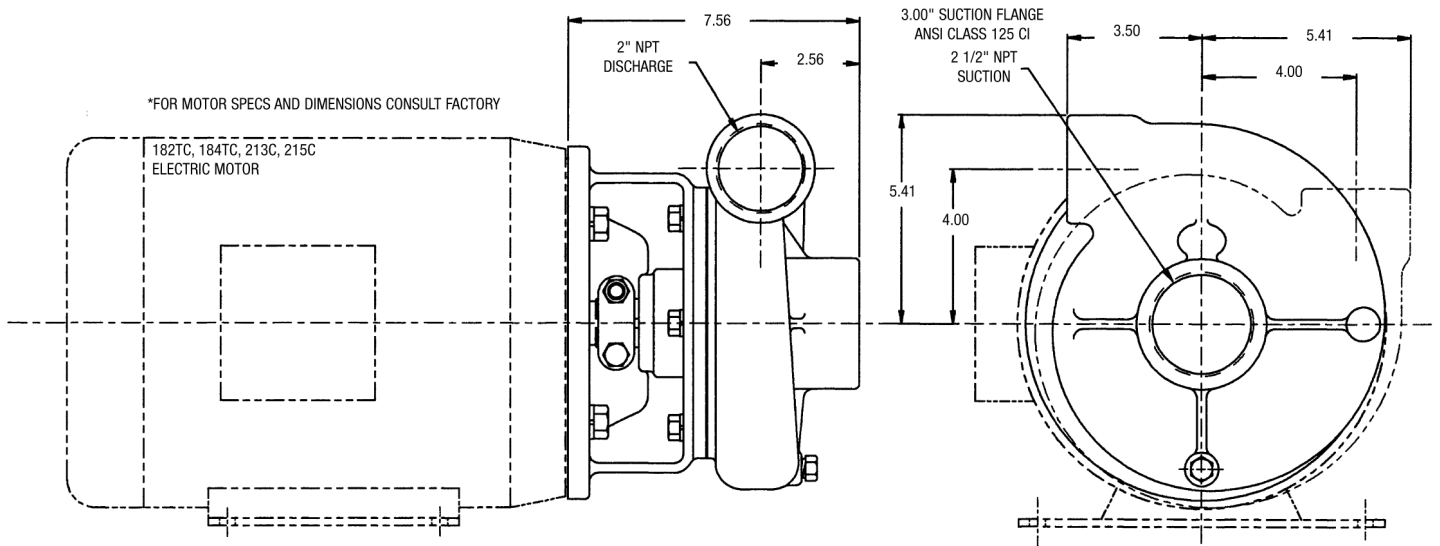
34800 BENNETT - FRASER, MI 48026-1686
 (586) 293-8240 - FAX (586) 293-8469
 (800) 563-8006 - www.mppumps.com

SERIES 200 5.44 "C" Impeller

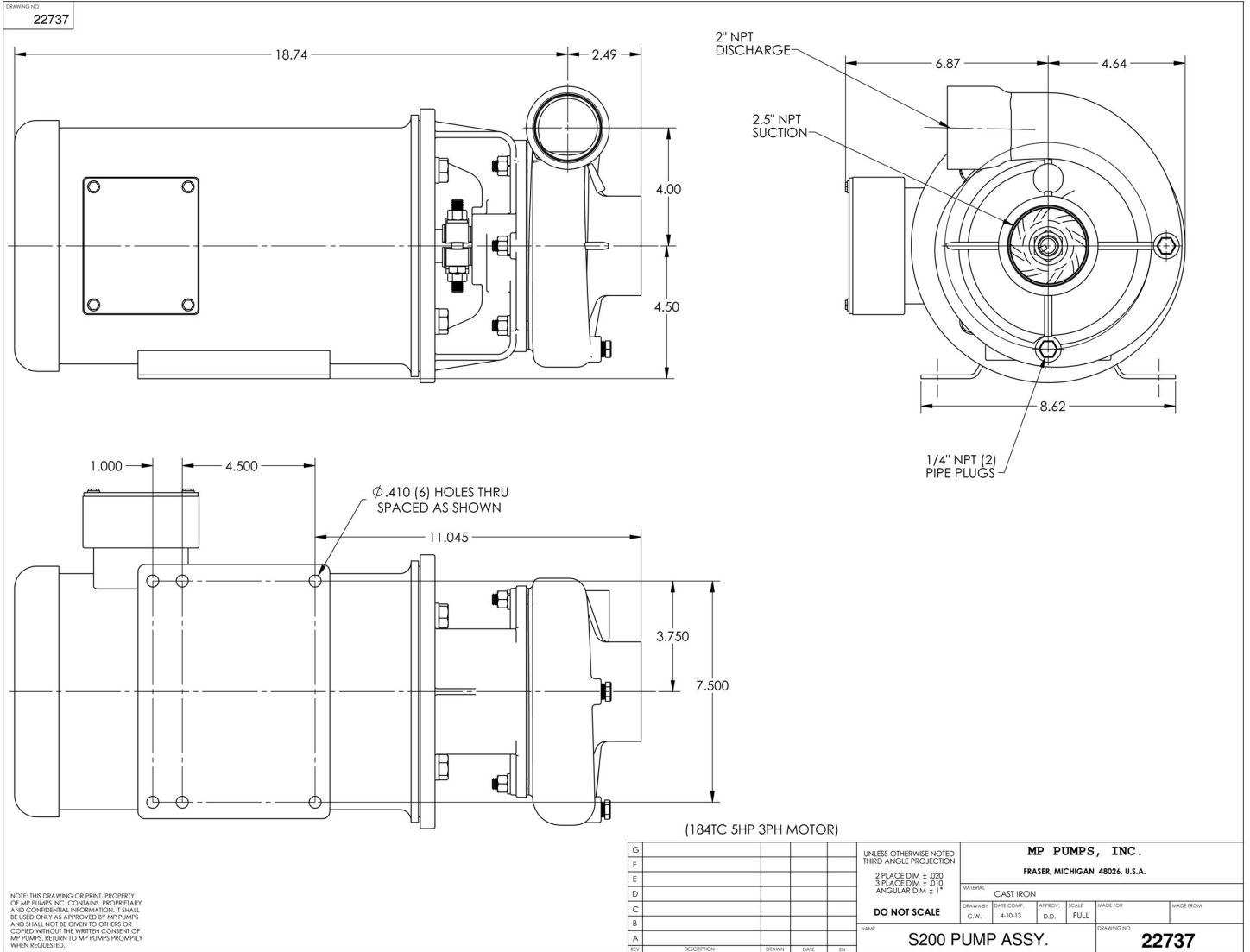


SERIES 200
5.4 "B" Impeller





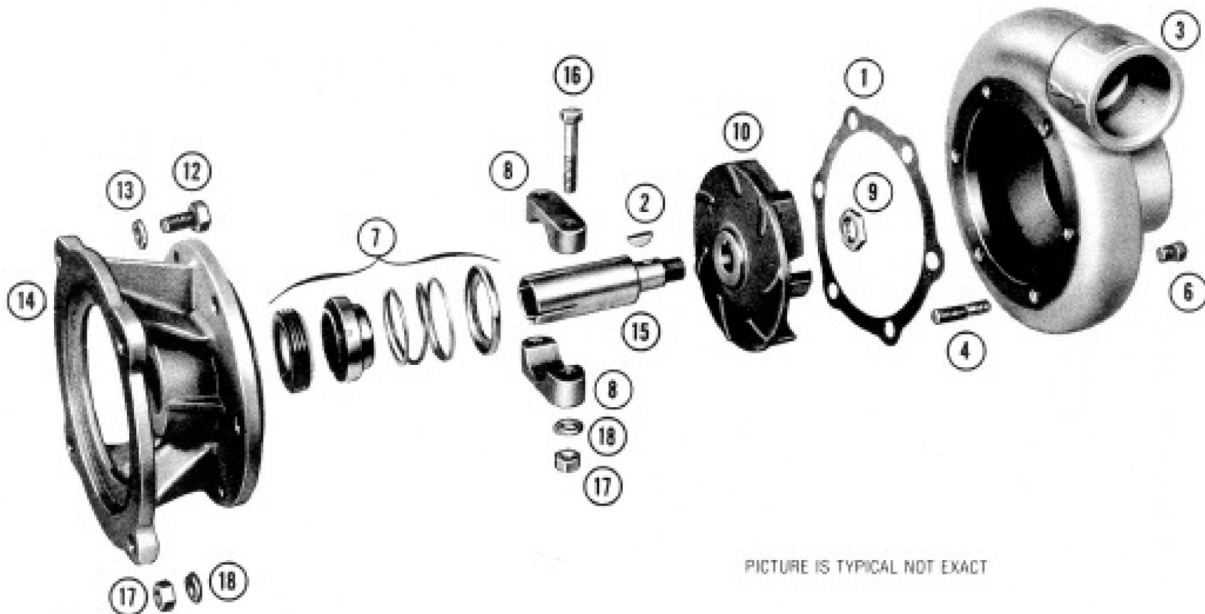
SERIES 200



FOR ELECTRIC MOTOR DRIVE

with Mechanical Seal – for “C” Face Motors
2-1/2" x 2" Pipe Size

**SERIES 200
STRAIGHT CENTRIFUGAL
2-1/2" x 2"**



PICTURE IS TYPICAL NOT EXACT

IMPORTANT: When ordering parts, specify MODEL and SERIAL number shown on nameplate.
NOTE: Parts shown are typical, not necessarily actual views.

ITEM NO.	PART NO.	DESCRIPTION	QUANTITY REQUIRED PER MODEL			
			ROTATION	ALL MODELS LISTED ARE RIGHT HAND		
			PIPE SIZE	2-1/2" x 2"	2-1/2" x 2"	2-1/2" x 2"
			METAL	CAST IRON	ALUMINUM	BRONZE
			23234	NA	23233	
			23237	NA	23236	
			25032		NA	
			25027		NA	

HOUSING

3	24218	Housing Assembly — Inc:	1		
		Housing — Cast Iron	1		
4	21261	Stud — S.S. — 3/8"	6		
6	21267	Pipe Plug — S.S. — 1/4" NPT	2		
3	24163	Housing Assembly — Inc:		1	
		Housing — Aluminum		1	
4	21261	Stud — S.S. — 3/8"		6	
6	21267	Pipe Plug — S.S. — 1/4" NPT		1	
3	24164	Housing Assembly — Inc:			1
		Housing — Bronze			1
4	21721	Stud — Bronze 3/8"			6
6	21186	Pipe Plug — Bronze 1/4" NPT			1
17	21268	Hex Nut — S.S. — 3/8"	6	6	
17	21230	Hex Nut — Bronze — 3/8"			6
16	21266	Lockwasher — S.S. — 3/8"	6	6	
16	25051	Lockwasher — Bronze — 3/8"			6
1	21216	Gasket — Housing	1	1	1



34800 BENNETT • FRASER, MI 48026-1686
(586) 293-8240 • FAX (586) 293-8469
(800) 563-8006 • www.mppumps.com

**SERVICE PARTS LIST
FORM 7019-A**



34800 BENNETT - FRASER, MI 48026-1686
(586) 293-8240 - FAX (586) 293-8469
(800) 563-8006 - www.mppumps.com

ITEM NO.	PART NO.	DESCRIPTION	QUANTITY REQUIRED PER MODEL			
			ROTATION			
			ALL MODELS LISTED ARE RIGHT HAND			
			PIPE SIZE	2-1/2" x 2"	2-1/2" x 2"	2-1/2" x 2"
METAL	CAST IRON	ALUMINUM	BRONZE			
MODEL NOS.	23234	NA	23233			
	23237	NA	23236			
	25032		NA			
	25027		NA			

IMPELLER

10	22686	Impeller — 4-1/8" — Cast Iron — (Model 23237)	1		
10	NA	Impeller — 4-1/8" Dia. — Aluminum — (Model 23235)		1	
10	22685	Impeller — 4-1/8" Dia. — Bronze — (Model 23236)			1
10	22689	Impeller — 4-5/8" Dia. — Cast Iron — (Model 23234)	1		
10	NA	Impeller — 4-5/8" Dia. — Aluminum — (Model 24208)		1	
10	22688	Impeller — 4-5/8" Dia. — Bronze — (Model 23233)			1
10	25031	Impeller — 5.4" 15° — Cast Iron — (Model 25032)	1		
10	25113	Impeller — 5.0" 15° — Cast Iron — (Model 25242)	1		
10	25026	Impeller — 5.4" 22° — Cast Iron — (Model 25027)	1		
10	25976	Impeller — 5.0" 22° — Cast Iron — (Model 25977)	1		
10	26032	Impeller — 4.75" 22° — Cast Iron — (Model 26033)	1		
10	25269	Impeller — 5.4" 15° — Bronze — (Model 25651)			1
10	25543	Impeller — 5.4" 22° — Bronze — (Model 25649 & 25612)			1
9	22655	Impeller Lock Nut — S.S. — 5/8"	1	1	1
15	22679	Impeller Drive Sleeve — 1-1/8"	1	1	1
2	21762	Woodruff Key — 15° — S.S. #8	1	1	1

CLAMP

8	23039	Clamp Assembly — Inc:	1	1	1
		Clamp	2	2	2
17	21268	Hex Nut — S.S. — 3/8"	2	2	2
18	21266	Lockwasher — S.S. — 3/8"	2	2	2
16	21269	Capscrew — S.S. — 3/8"	2	2	2

SEAL

7	22361	Seal Assembly — Inc:	1	1	1
		Seal Washer	1	1	1
		Seal Seat	1	1	1

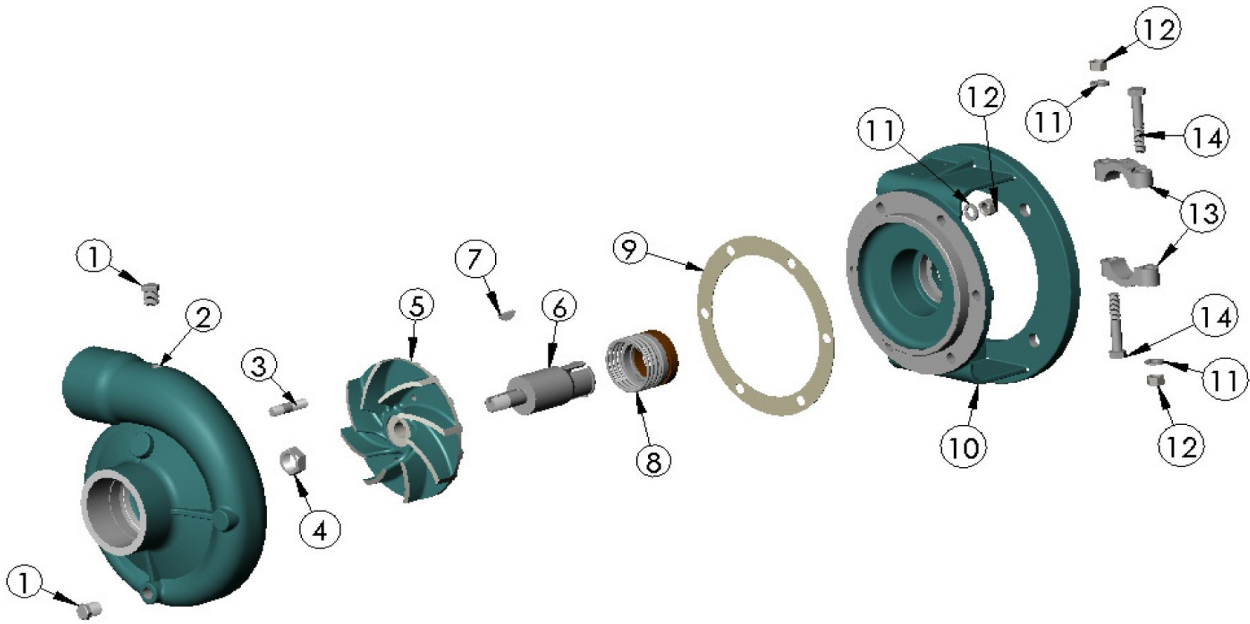
ADAPTOR

14	22682	Adaptor — Cast Iron	1		
14	NA	Adaptor — Aluminum		1	
14	22681	Adaptor — Bronze			1
12	21246	Capscrew — S.S. — 1/2"	4	4	4
13	21254	Lockwasher — S.S.	4	4	4

LITHO IN U.S.A.

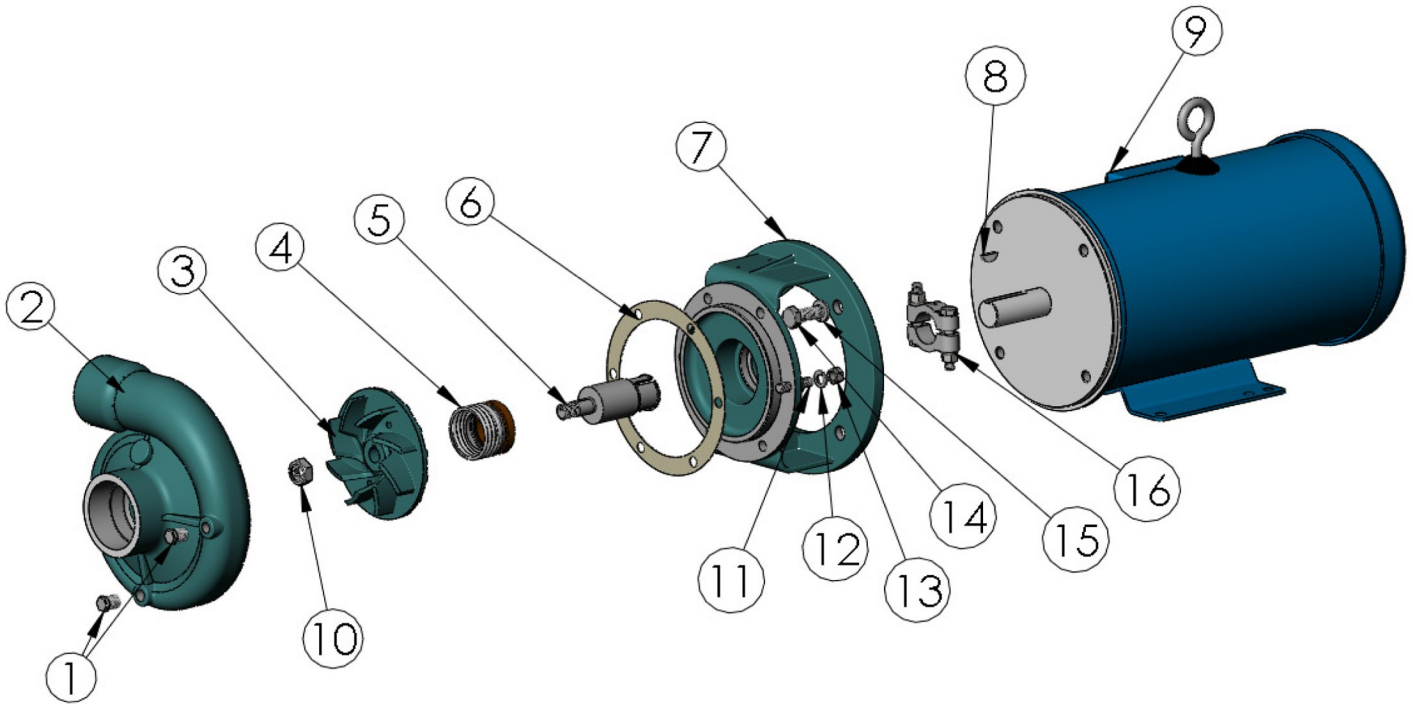
FORM 7019-A

30411



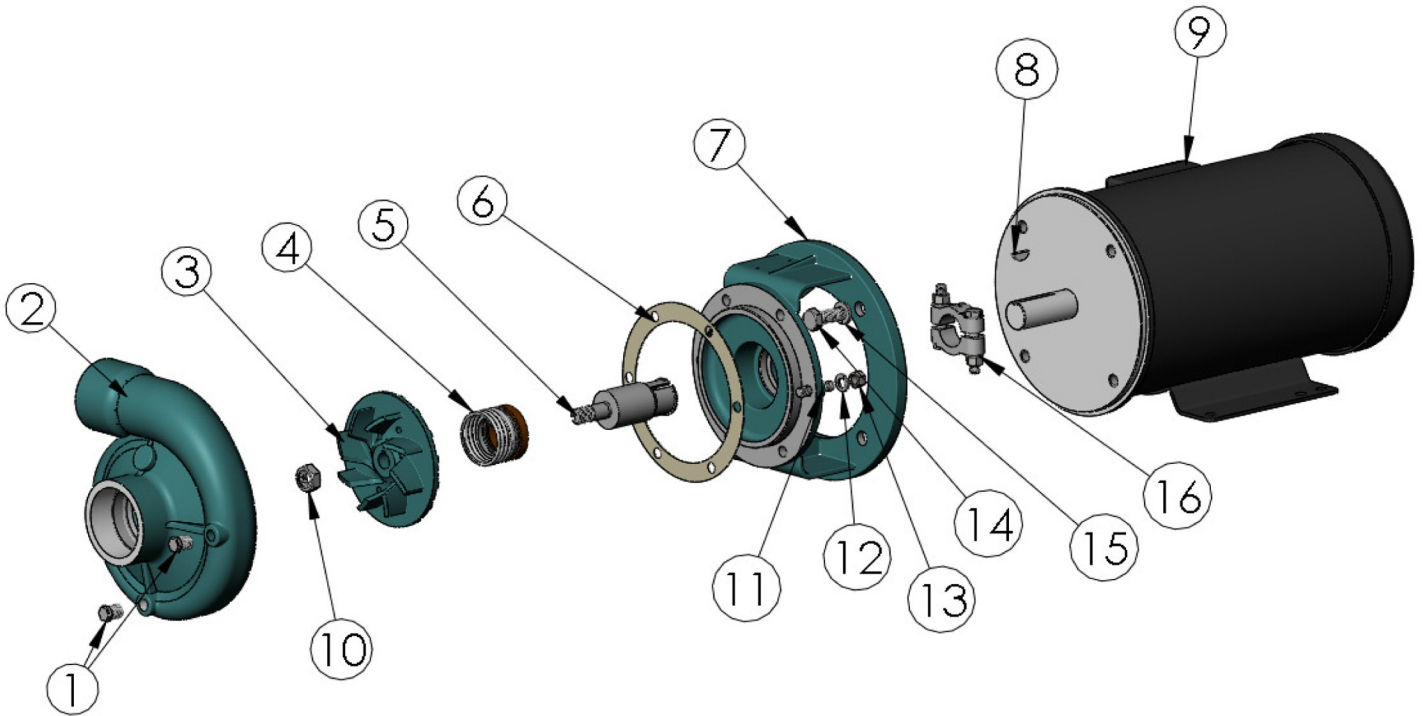
PART NO.	ITEM NO.	DESCRIPTION	QTY.	PART NO.	ITEM NO.	DESCRIPTION	QTY.
41475	1	PIPE PLUG - STL - 1/4" NPT	2	22361	8	SEAL - Ø1.50 - TYPE 21 - VITON	1
21203	2	HOUSING - CAST IRON	1	21216	9	GASKET - NI2085	1
21261	3	STUD - SS - 3/8-16 X 1.63 LG.	6	22682	10	ADAPTER - CAST IRON	1
22655	4	HEX JAM NUT - SS - 5/8-18	1	21266	11	LOCKWASHER - SS - 3/8	8
* 22692	5	IMPELLER - CAST IRON	1	21268	12	HEXNUT - SS - 3/8-16	8
22679	6	DRIVE SLEEVE - SS - Ø1.13	1	22356	13	CLAMP - SS	2
21762	7	WOODRUFF KEY - SS	1	21269	14	CAPSCREW - SS - 3/8-16 X 2.25 LG.	2

* SUGGESTED REPLACEMENT PARTS



ITEM NO.	PART NO.	DESCRIPTION	QTY.	ITEM NO.	PART NO.	DESCRIPTION	QTY.
1	41475	PIPE PLUG - STL. 1/4 N.P.T.	2	9	22413	ELE. MOTOR - 184TC 7.5HP, 3PH.	1
2	21203	HOUSING C.I.	1	10	22655	HEX JAM NUT - S.S. 5/8-18	1
3	22689	IMPELLER C.I. - 4.62" DIA.	1	11	21261	STUD S.S. - 3/8-16 X 1.63	6
4	22362	SEAL - 1.5 T-21 CCS VITON	1	12	21266	LOCK WASHER S.S. - 3/8	8
5	22679	DRIVE SLEEVE - S.S. 1.13" I.D.	1	13	21268	HEX NUT S.S. - 3/8-16	8
6	21216	GASKET - .032 THK. NI-2085	1	14	21246	HH CAPSCREW S.S. - 1/2-13 X 1.25	4
7	22682	ADAPTOR C.I.	1	15	21254	LOCK WASHER S.S. - 1/2"	4
8	21762	WOODRUFF KEY - S.S. #8	1	16	23039	CLAMP ASSY. S.S.	1

*- RECOMMENDED REPLACEMENT PARTS



ITEM NO.	PART NO.	DESCRIPTION	QTY.	ITEM NO.	PART NO.	DESCRIPTION	QTY.
1	41475	PIPE PLUG - STL. 1/4 N.P.T.	2	9	22414	ELE. MOTOR - 184TC 5HP, 3PH.	1
2	21203	HOUSING C.I.	1	10	22655	HEX JAM NUT - S.S. 5/8-18	1
3	25026	IMPELLER C.I. - 4.12" DIA.	1	11	21261	STUD S.S. - 3/8-16 X 1.63	6
* 4	22362	SEAL - 1.5 T-21 CCS VITON	1	12	21266	LOCK WASHER S.S. - 3/8	8
5	22679	DRIVE SLEEVE - S.S. 1.13" I.D.	1	13	21268	HEX NUT S.S. - 3/8-16	8
* 6	21216	GASKET - .032 THK. NI-2085	1	14	21246	HH CAPSCREW S.S. - 1/2-13 X 1.25	4
7	22682	ADAPTOR C.I.	1	15	21254	LOCK WASHER S.S. - 1/2"	4
8	21762	WOODRUFF KEY - S.S. #8	1	16	23039	CLAMP ASSY. S.S.	1

* - RECOMMENDED REPLACEMENT PARTS