



CHEMFLO 1 CC

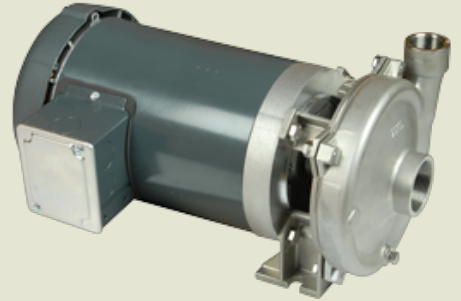
1-1/2" x 1" End Suction Centrifugal Pump

Made with high quality investment cast 316 stainless steel components, the ChemFlo® series of pumps are designed to be applied in a wide range of pumping applications where stainless steel is required.

ChemFlo® 1 pumps utilize a semi-open impeller design to allow for passage of larger solid sizes and a totally enclosed impeller to meet high efficiency standards. Several seal options are available in addition to the standard type 2100 carbon / ceramic / Viton mechanical seal.

ChemFlo® 1 pumps are offered in two configurations, pump (with motor) and PumPAK® (without motor) versions. Motors available are 56C and 145TC. If ordering a PumPAK for a 145TC motor please note that the electric motor must have a base.

Other drive options are available. Further expanding the versatility of the ChemFlo® series is the CFB 1 pump, a ChemFlo® 1 in NiBrAl material. All wetted parts are produced in CA 958 nickel aluminum bronze including the drive sleeve to maximize corrosion protection in seawater applications.



Application

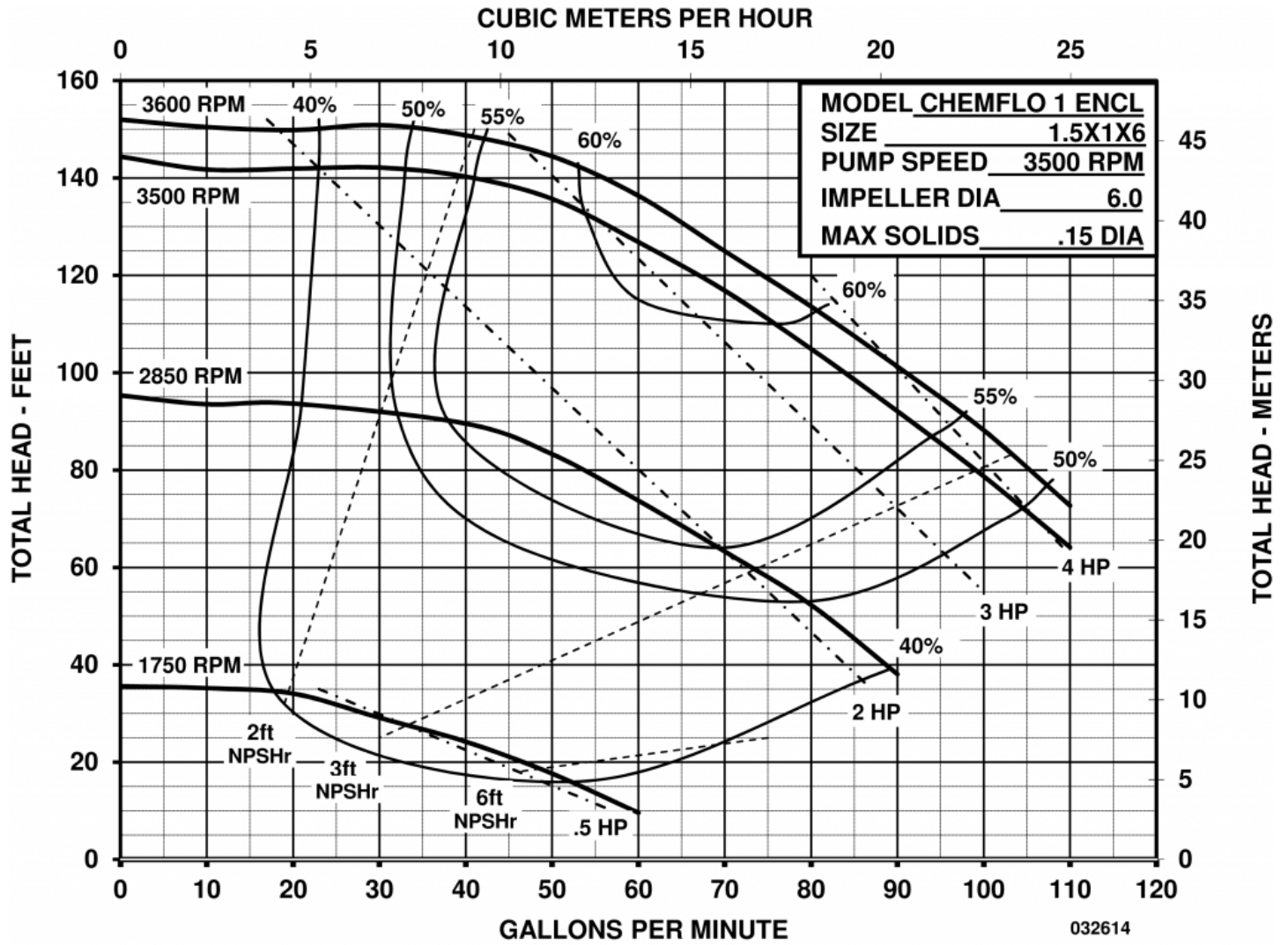
- Agricultural
- Commercial
- Industrial
- Marine
- OEM

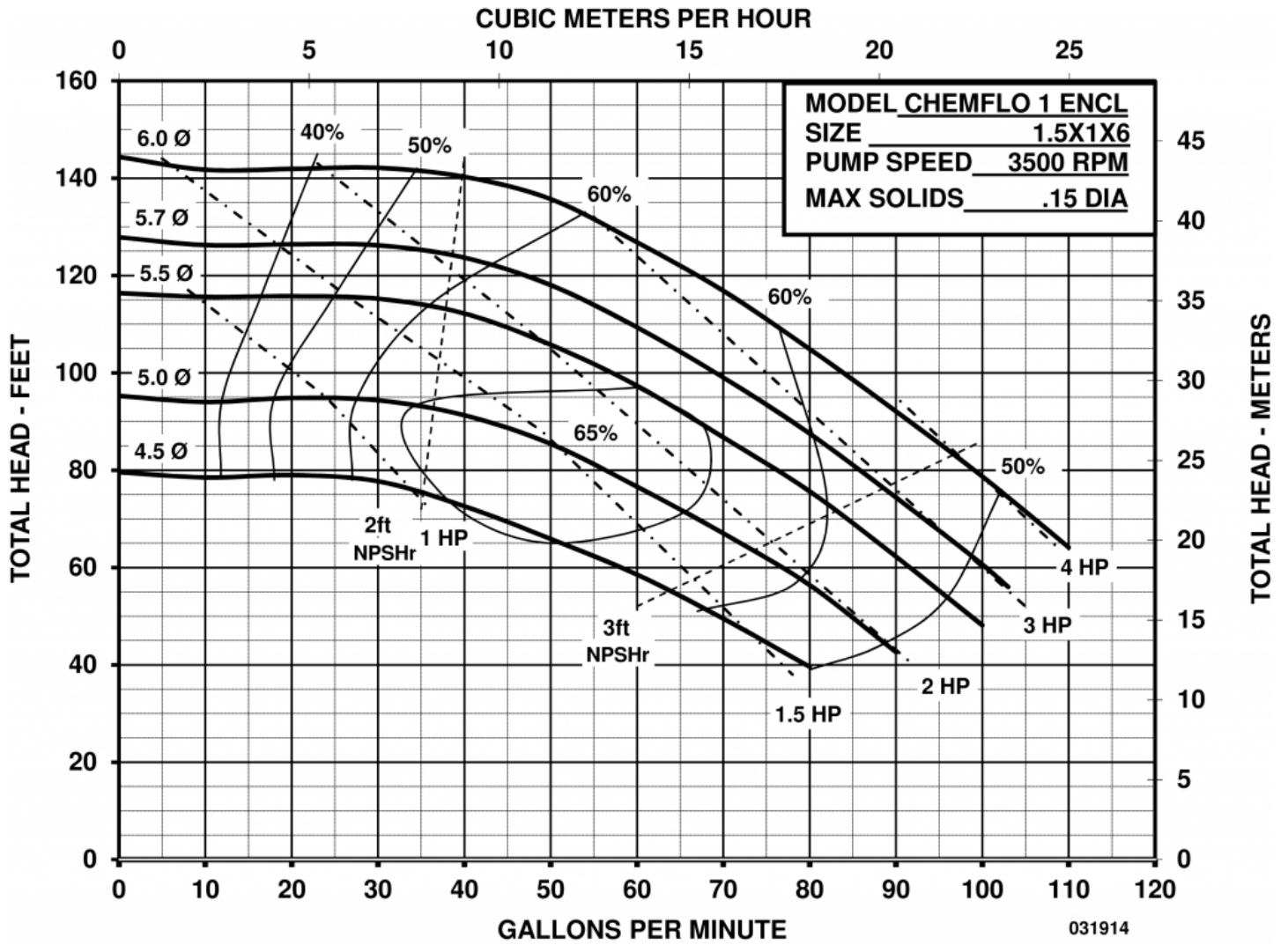
Drive Sleeve

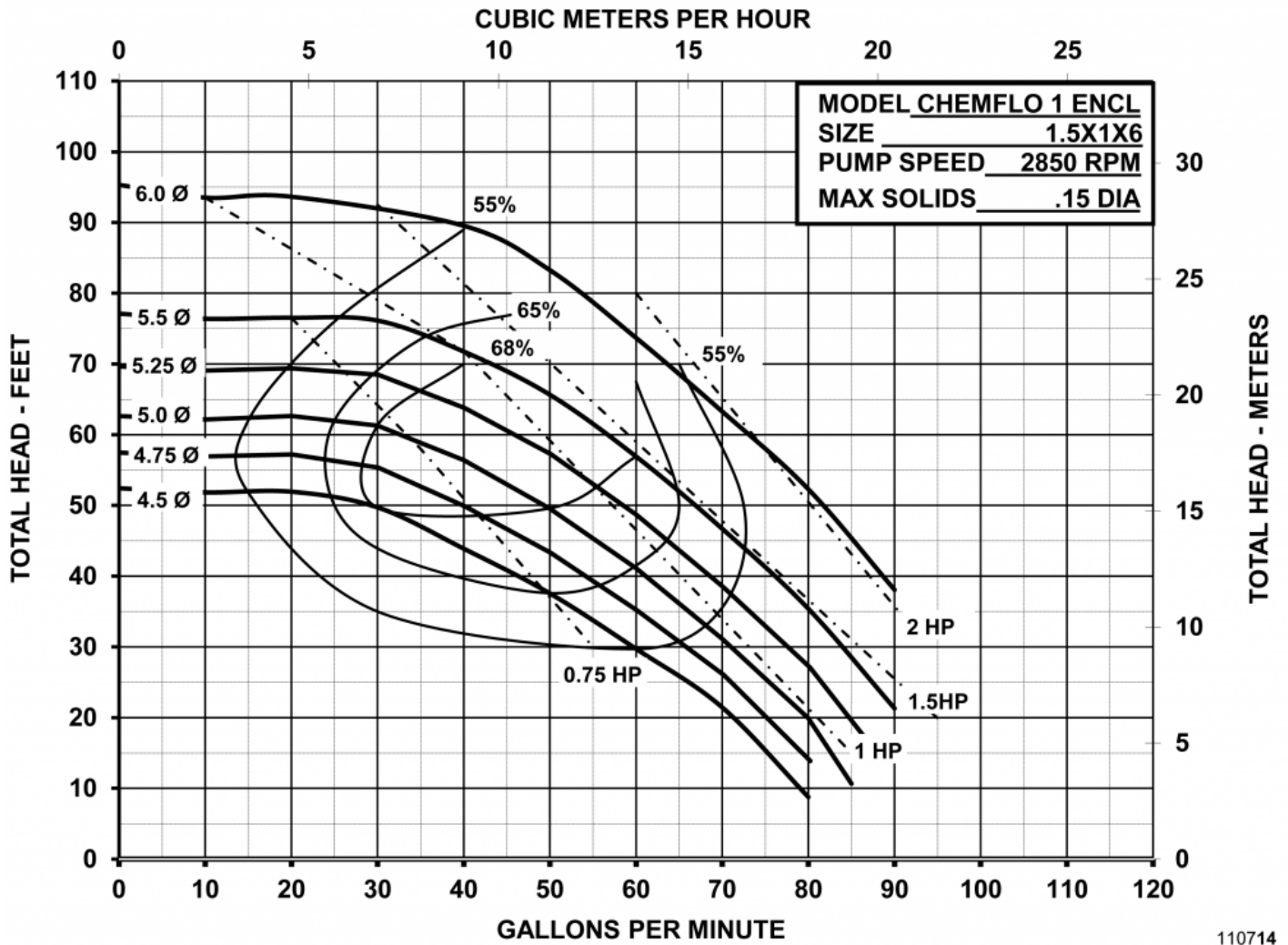
- 316 stainless steel

SPECIFICATIONS:

Suction And Discharge	1-1/2" x 1" NPT
Materials Of Construction	316 stainless steel, CFB (nickel aluminum bronze)
Flow	Up to 100 GPM
Head Feet	Up to 140'
Impeller	6" semi-open and enclosed, optional cast 316ss
Motor	Up to 3 HP
Drive Options	Close coupled 56C, Close coupled 145TC, Pedestal, PumPAK® (without motor)
Seal	Special seal material combinations available (consult factory), Standard carbon / ceramic / Viton
Options	Tap for recirculation or seal flush, Hydraulic motor driven pedestals and shaft driven pedestals



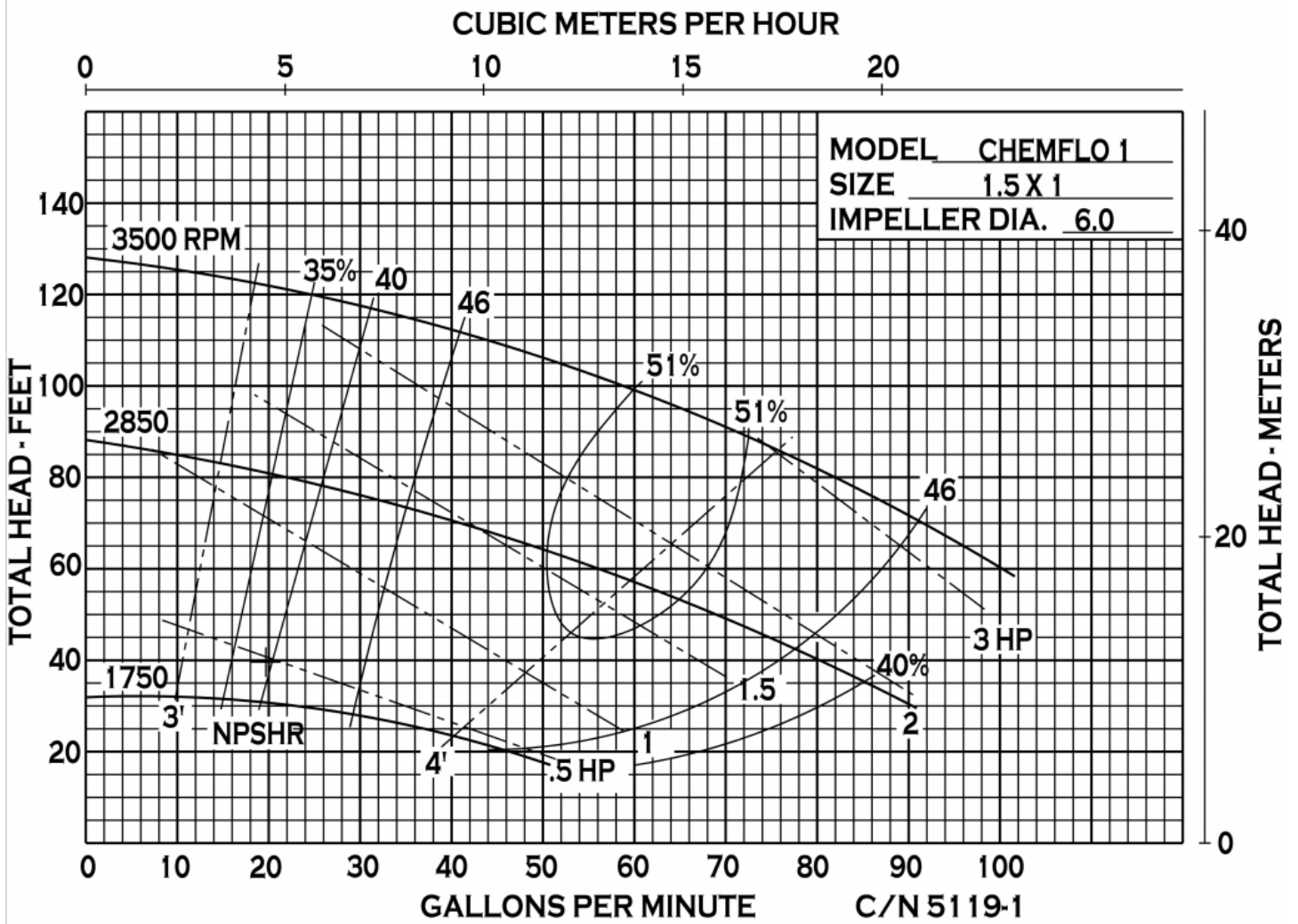


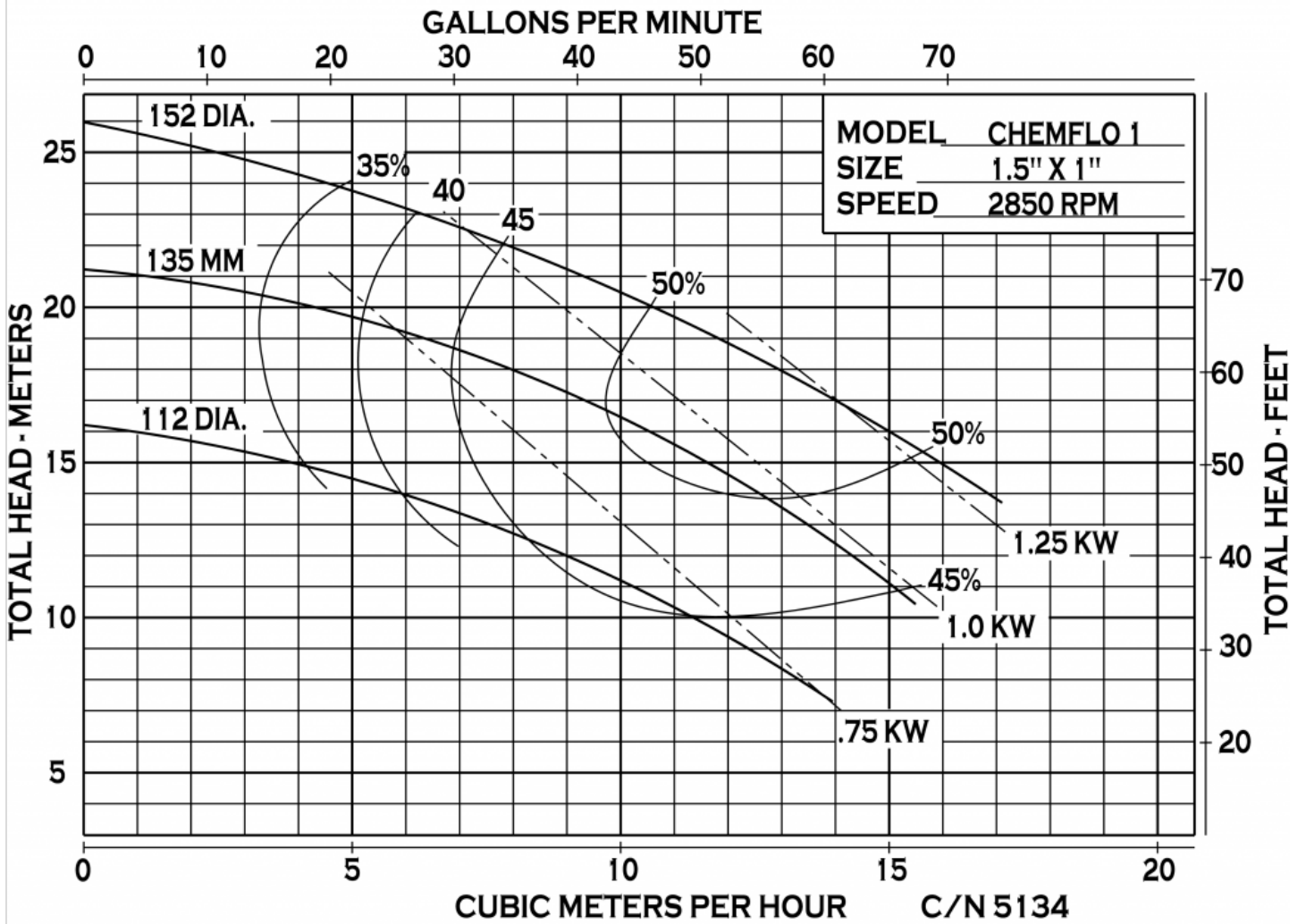


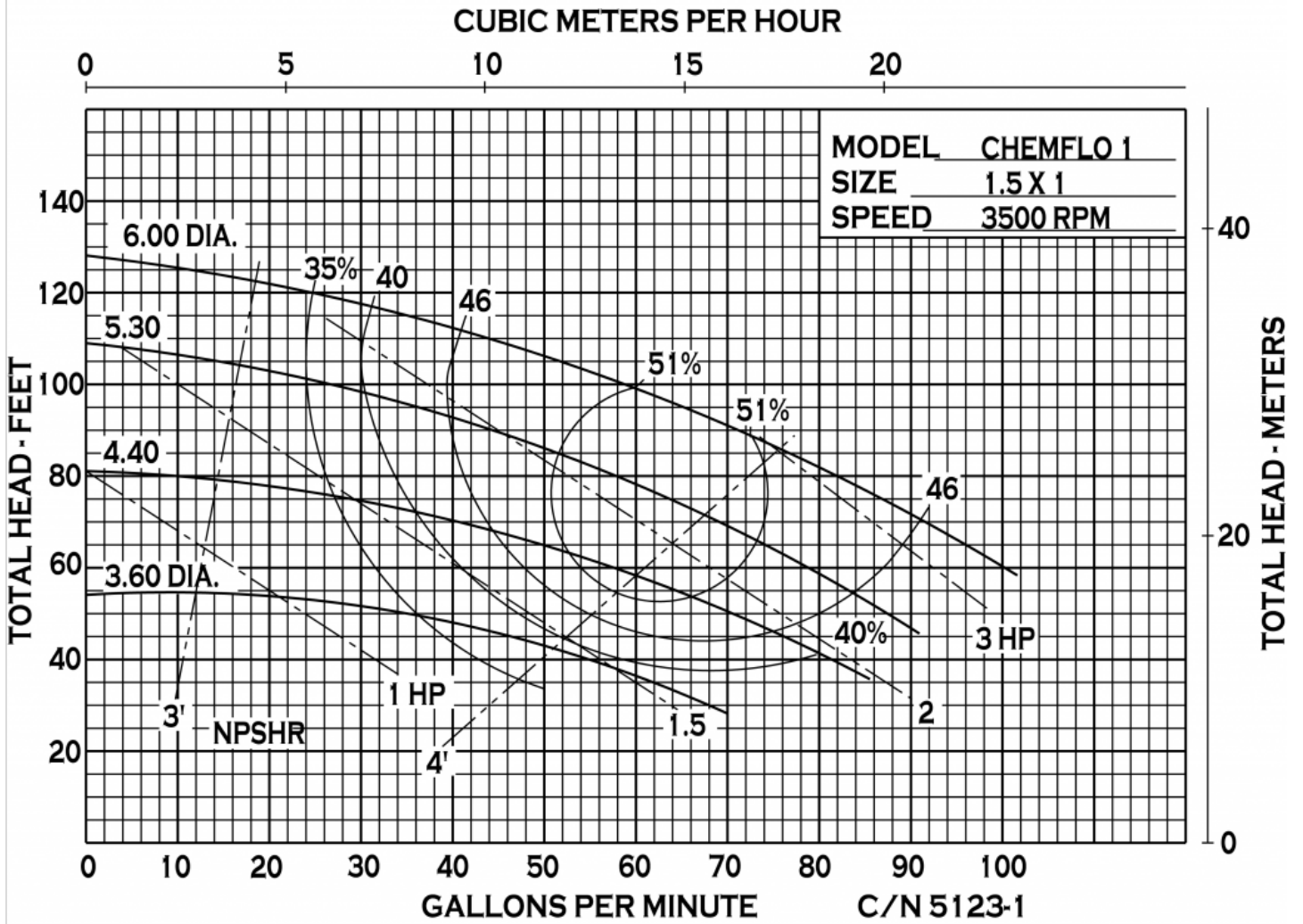
110714

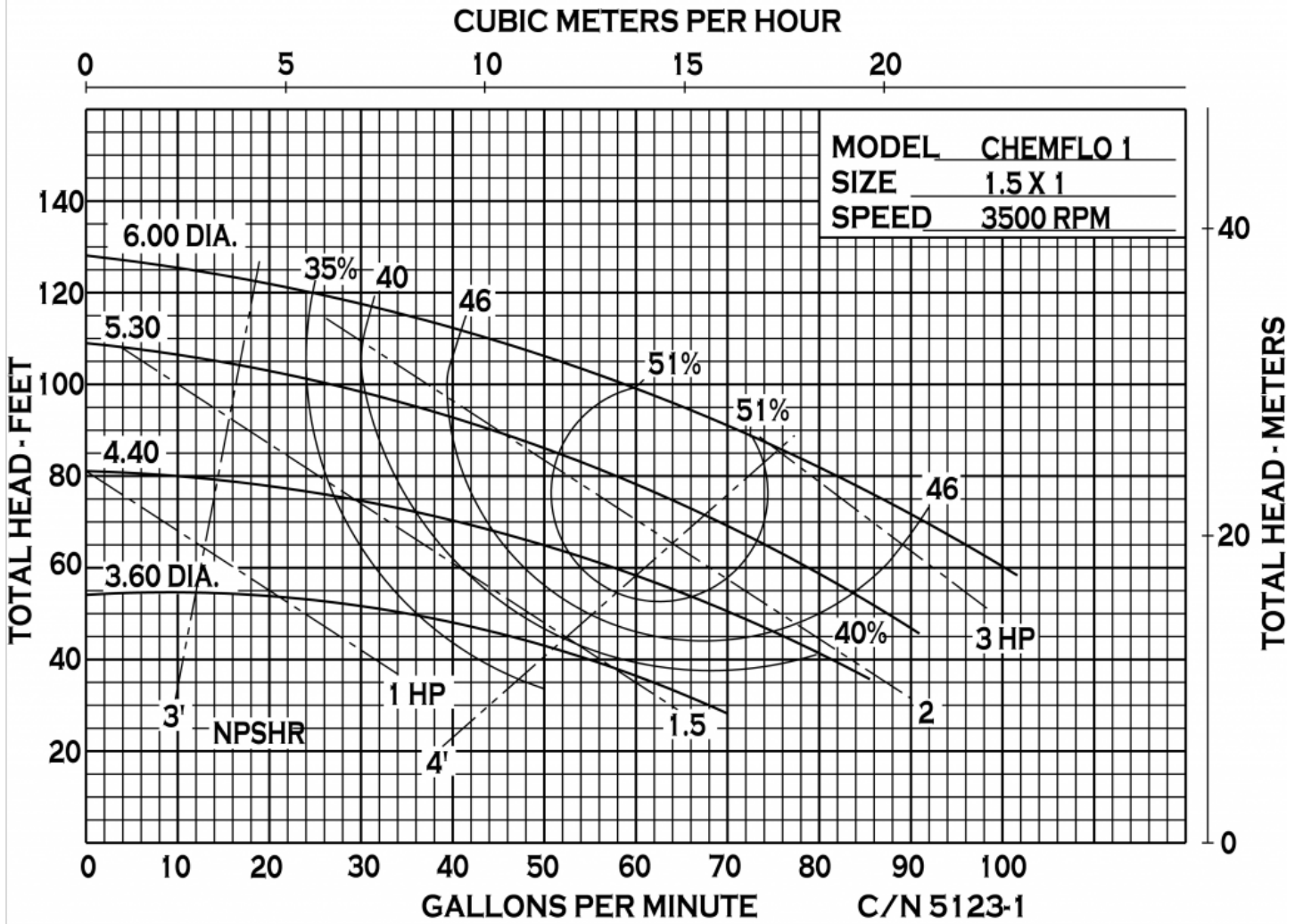


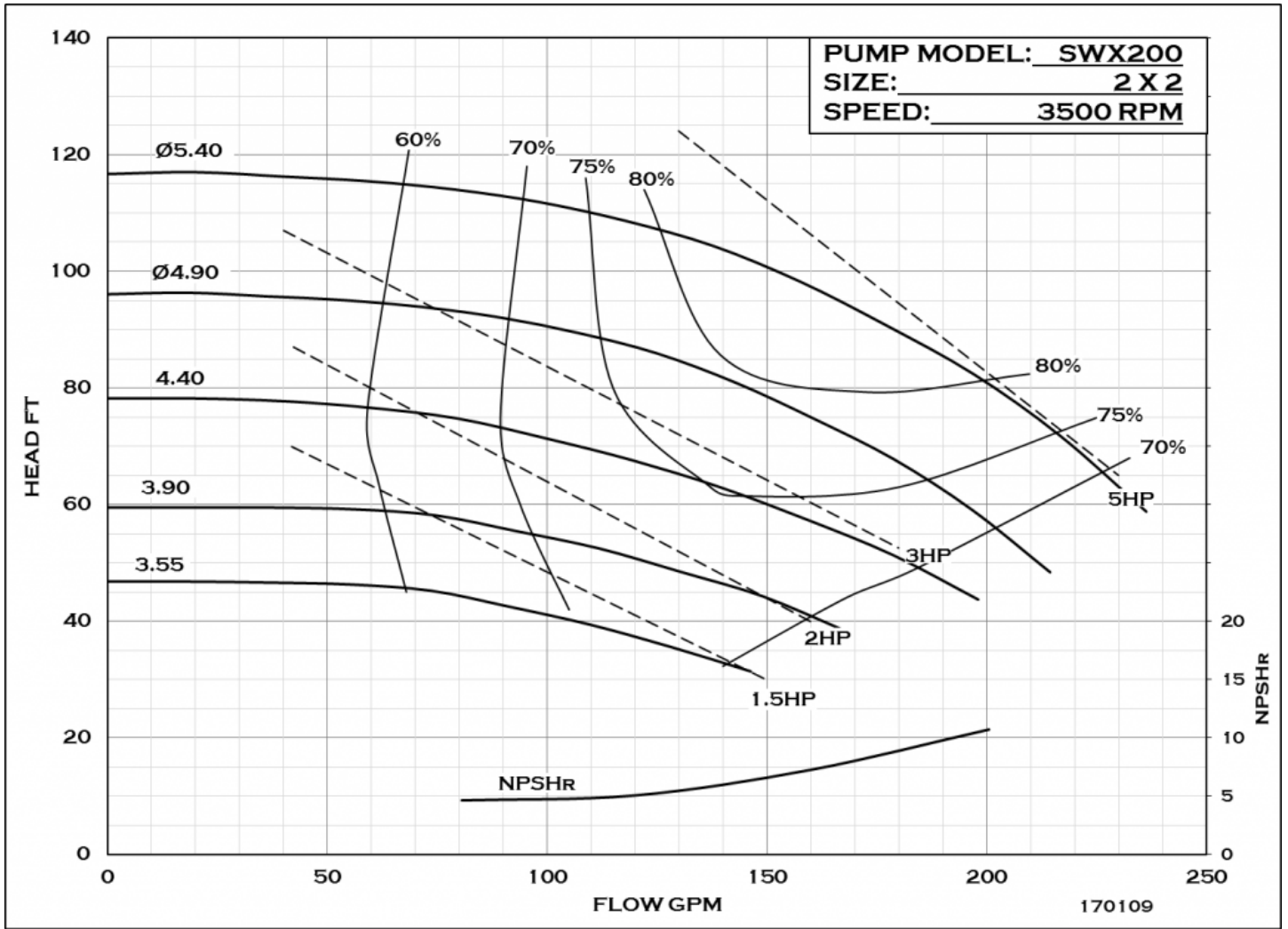
34800 BENNETT - FRASER, MI 48026-1686
 (586) 293-8240 - FAX (586) 293-8469
 (800) 563-8006 - www.mppumps.com

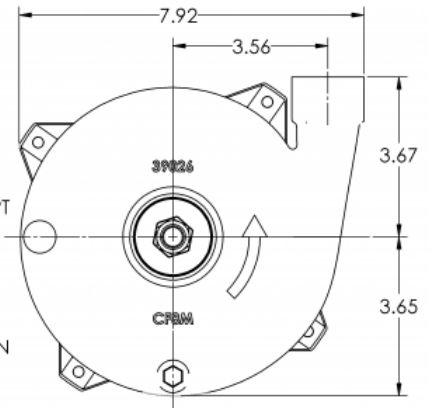
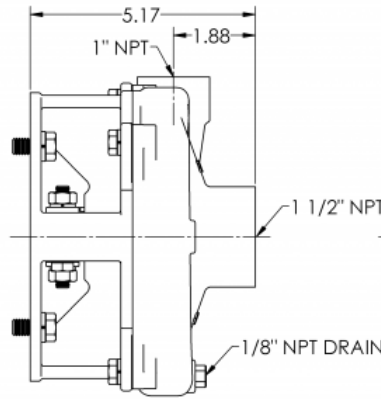
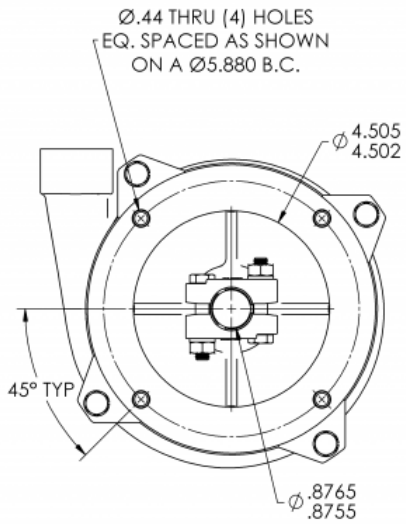






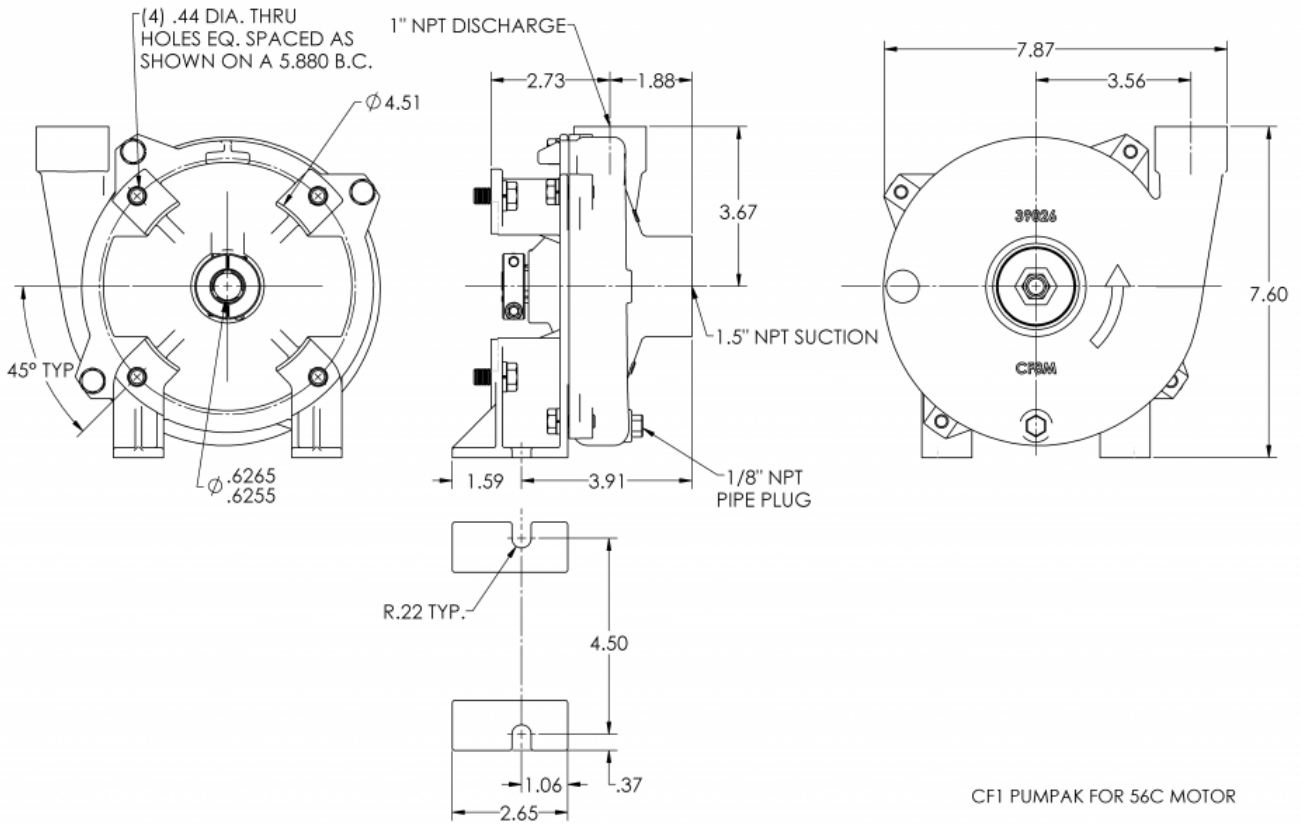




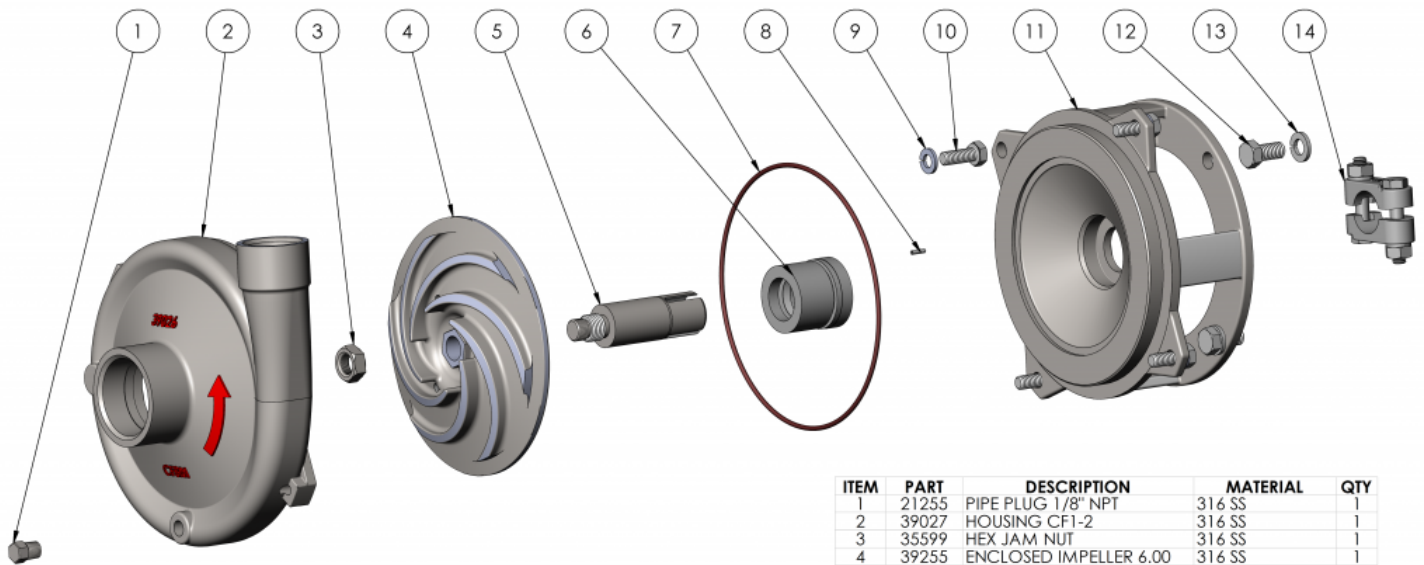


CF1 PUMPAK FOR 145TC MOTOR

CHEMFLO 1 CC



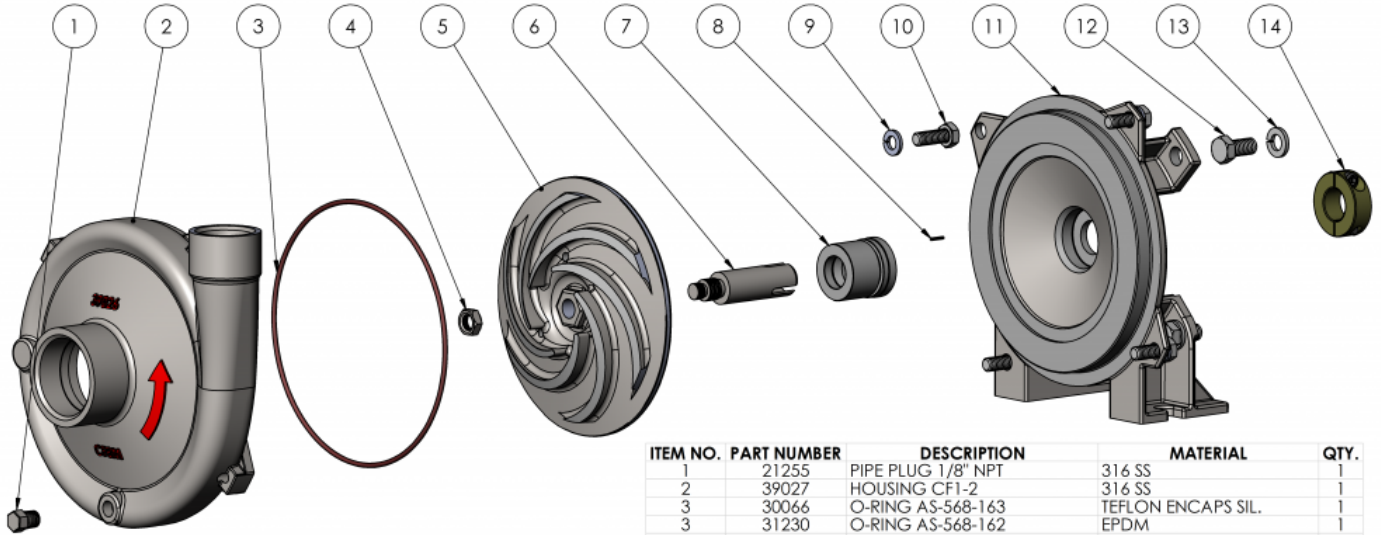
CHEMFLO 1 CC



ITEM	PART	DESCRIPTION	MATERIAL	QTY
1	21255	PIPE PLUG 1/8" NPT	316 SS	1
2	39027	HOUSING CF1-2	316 SS	1
3	35599	HEX JAM NUT	316 SS	1
4	39255	ENCLOSED IMPELLER 6.00	316 SS	1
4	39217	ENCLOSED IMPELLER 5.50	316 SS	1
4	39609	ENCLOSED IMPELLER 5.25	316 SS	1
4	39226	ENCLOSED IMPELLER 5.00	316 SS	1
4	39612	ENCLOSED IMPELLER 4.75	316 SS	1
4	39232	ENCLOSED IMPELLER 4.50	316 SS	1
4	38772	IMPELLER 6.00	CF8M SS	1
4	35743	IMPELLER 5.30	CF8M SS	1
4	38397	IMPELLER 4.40	CF8M SS	1
4	35743	IMPELLER 3.60	CF8M SS	1
5	35753	DRIVE SLEEVE 145TC	316 SS	1
6	26440	SEAL ASSEMBLY 1"	CAR/CER/CHEM	1
6	22560	SEAL ASSEMBLY 1"	SVC SSC	1
6	22273	SEAL ASSEMBLY 1"	CCS/VITON	1
7	31230	O-RING AS-568-162	EPDM	1
7	30066	O-RING AS-568-163	TEFLON ENCAPS	1
7	29715	O-RING AS-568-163	VITON	1
7	35290	O-RING AS-568-164	NEOPRENE	1
7	39375	O-RING AS-568-165	BUNA	1
7	50524	O-RING AS-568-166	AFLAS	1
8	32013	EXPANSION PIN	STAINLESS STEEL	1
9	21238	LOCKWASHER 5/16 X 18	304 SS	4
10	21242	CAP SCREW HH 5/16-18 X	304 SS	4
11	33794	ADAPTER 145TC	316 SS	1
12	25663	CAPSCREW 3/8-16 X 3/4	304 SS	4
13	21266	LOCKWASHER 3/8 X 1/8	304 SS	4
14	23003	CLAMP ASSEMBLY	316 SS	1

CF1 PUMPAK FOR 145TC MOTOR

CHEMFLO 1 CC



ITEM NO.	PART NUMBER	DESCRIPTION	MATERIAL	QTY.
1	21255	PIPE PLUG 1/8" NPT	316 SS	1
2	39027	HOUSING CF1-2	316 SS	1
3	30066	O-RING AS-568-163	TEFLON ENCAPS SIL.	1
3	31230	O-RING AS-568-162	EPDM	1
3	29715	O-RING AS-568-162	VITON	1
3	35290	O-RING AS-568-162	NEOPRENE	1
3	39375	O-RING AS-568-162	BUNA	1
3	50524	O-RING AS-568-162	AFLAS	1
4	35598	HEX JAM NUT SS: 3/8-24	316 SS	1
5	39255	ENCLOSED IMPELLER 6.00	316 SS	1
5	39217	ENCLOSED IMPELLER 5.50	316 SS	1
5	39609	ENCLOSED IMPELLER 5.25	316 SS	1
5	39226	ENCLOSED IMPELLER 5.00	316 SS	1
5	39612	ENCLOSED IMPELLER 4.75	316 SS	1
5	39232	ENCLOSED IMPELLER 4.50	316 SS	1
5	29910	IMPELLER 6.00	CF8M SS	1
5	30231	IMPELLER 5.30	CF8M SS	1
5	30232	IMPELLER 4.40	CF8M SS	1
5	30233	IMPELLER 3.60	CF8M SS	1
6	29785	DRIVE SLEEVE	316 SS	1
7	39781	SEAL ASSEMBLY	TEFLON/CCS	1
7	29168	SEAL ASSEMBLY	CAR/SIC	1
7	34380	SEAL ASSEMBLY	SILICONE	1
7	30061	SEAL ASSEMBLY	CCS/VITON	1
7	30358	SEAL ASSEMBLY	EPT	1
7	30054	SEAL ASSEMBLY	TEFLON/CCS	1
8	32012	EXPANSION PIN	AISI 420 CORROSION RES.	1
9	21238	LOCKWASHER 5/16 X 18	304 SS	4
10	21242	CAP SCREW HH 5/16-18 X 7/8	304 SS	4
11	29908	ADAPTER	CF8M SS	1
12	25663	CAPSCREW 3/8-16 X 3/4	304 SS	4
13	21266	LOCKWASHER 3/8 X 1/8	304 SS	4
14	28049	CLAMP	ZINC PLATED STEEL	1

CF1 PUMPAK FOR 56C MOTOR