



# FLOMAX<sup>®</sup> 15

## Self-Priming Centrifugal Pump

The 316 Stainless Steel FLOMAX<sup>®</sup> 15 provides excellent chemical compatibility and corrosion resistance for "hard-to-handle" aggressive fluids making it ideal for numerous agricultural, industrial and marine applications.

The pump is equipped with a standard viton flapper, priming chamber fill-plug, and a 3" NPT ANSI 150 # Class Flat Suction Flange. The discharge port is SAE 4-bolt flat face and accepts 150 # Class Flat Flange.

The 3" NPT ANSI 150 # Class Flat Flange can be supplied as an option for the discharge port.

The standard mechanical seal is carbon/ceramic/viton/ stainless steel. Consult factory for special optional seals.

Two open impeller designs are available: the standard FLOMAX<sup>®</sup> 3-blade impeller and the higher performance 5-blade impeller. Impellers are balanced and trimmed to insure non-overloading conditions.

Two basic pumpak styles allow the FLOMAX<sup>®</sup> 15 self-priming centrifugal pump to fit standard Nema "C" electric motor frames or the standard MP pedestal, hydraulic pedestal mount and engines. The PumPak<sup>®</sup> is completely assembled and can be mounted to a standard motor in minutes.



**NEW**

### SPECIFICATIONS:

<b>Construction</b> .....	<b>316 SS</b>
<b>Suction</b> .....	<b>3" NPT 150 # Class Flat Flange</b>
<b>Discharge</b> .....	<b>SAE 4-Bolt Flat Face</b>
<b>(Option P/N 38647)</b> .....	<b>3" NPT 150 # Class Flat Flange Kit</b>
<b>Flapper</b> .....	<b>Viton</b>
<b>Mechanical Seal, Type 21</b> ....	<b>Carbon/Ceramic/Viton</b>
<b>Impeller</b> .....	<b>316 SS, Semi-Open, Balanced</b>
.....	<b>3-Blade and 5-Blade Options</b>

### Mounting Options:

- PumPak<sup>®</sup>
- Pedestal
- Engine
- Electric Motor
  - 184TC
  - 215C
- Hydraulic

### Flows to 320 GPM:

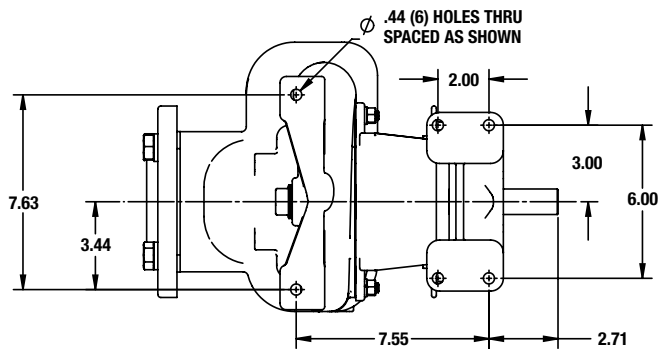
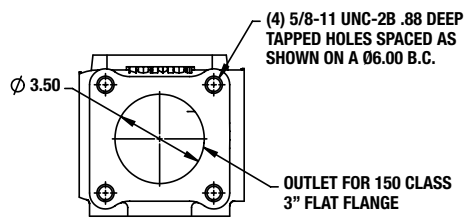
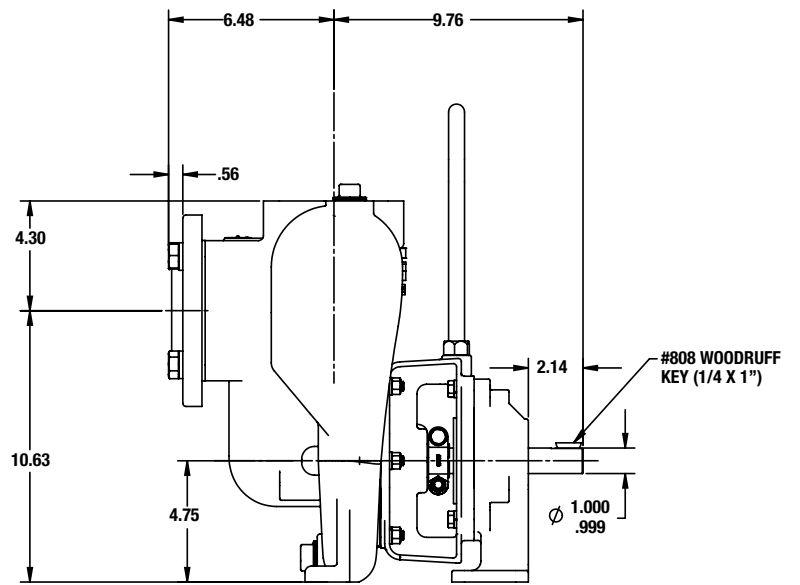
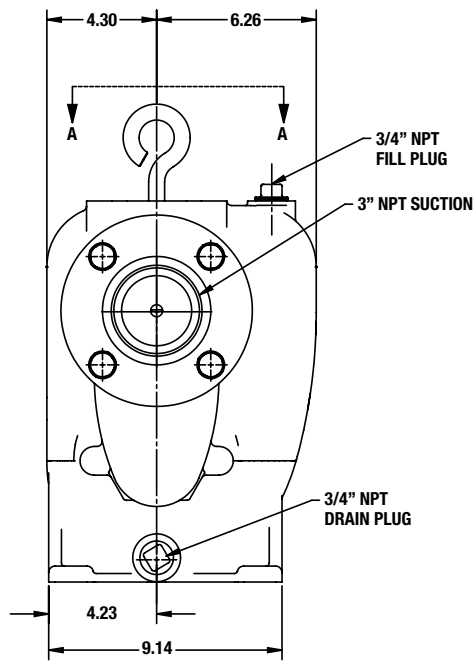
### Pressures To 135 TDH:

- 2 Impeller Designs

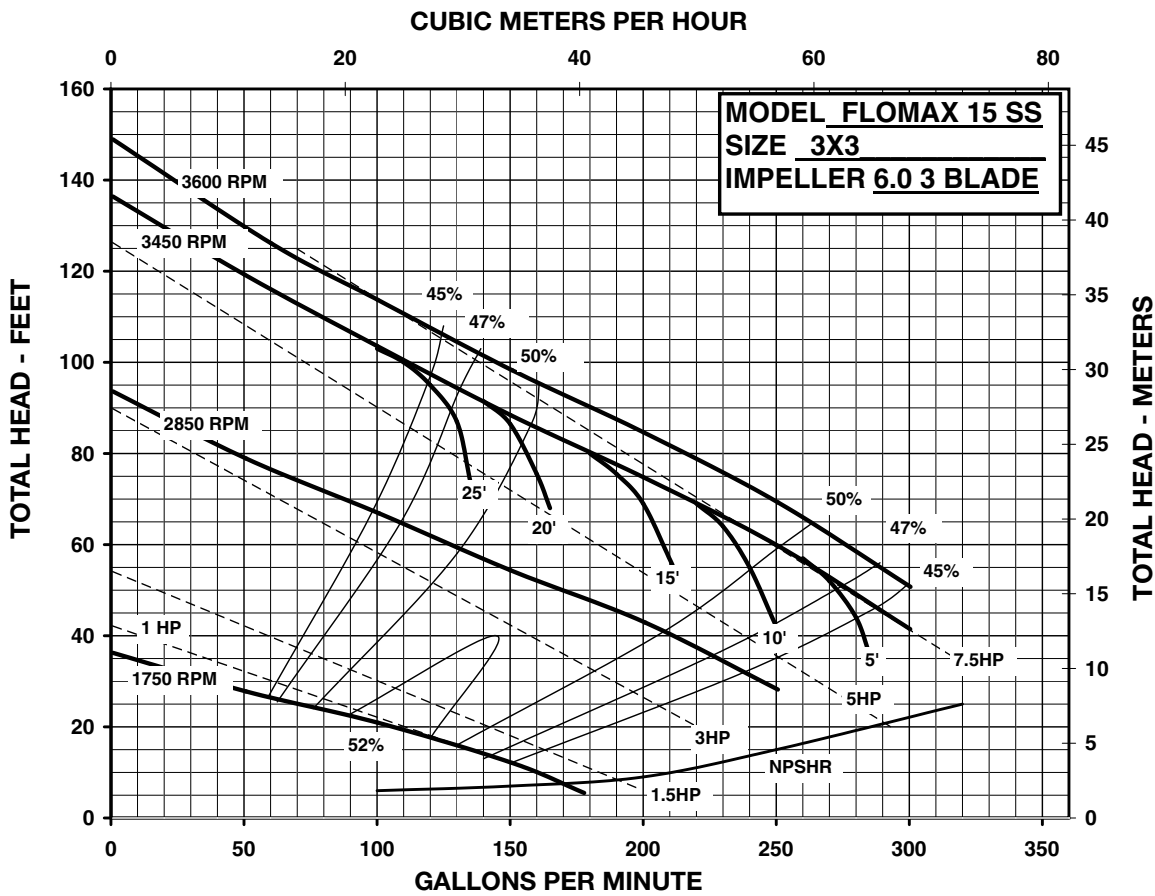
### Applications:

- AG Fertilizer Transfer
- Chemical Transfer
- Diesel Exhaust Fluid (DEF) Transfer
- R.O. Water Transfer

**FLOMAX® 15 Dimensions**



**FLOMAX® 15 Performance Curves 3-Blade**



**FLOMAX® 15 Performance Curves 3-Blade**

