

OPERATOR'S MANUAL

CHEMFLO 3

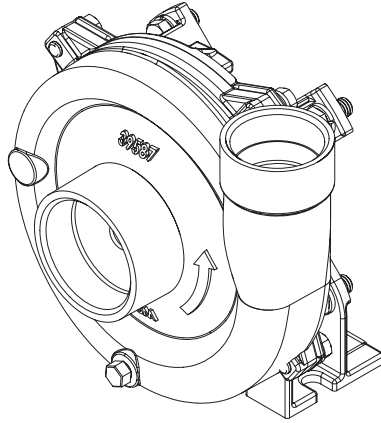
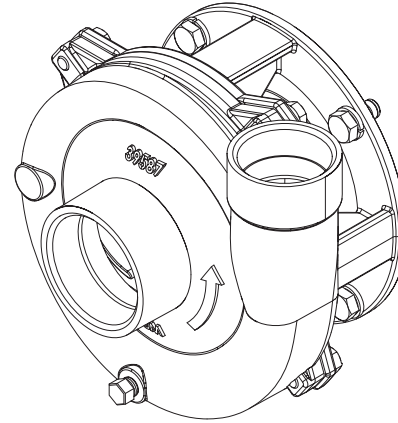
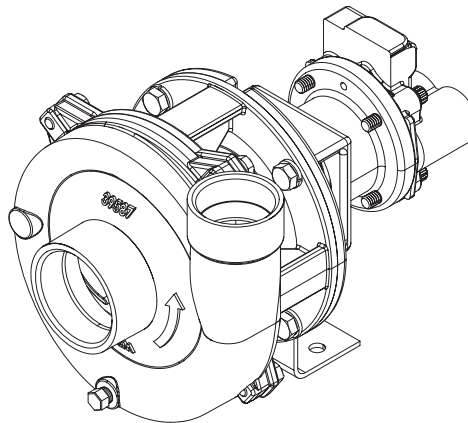
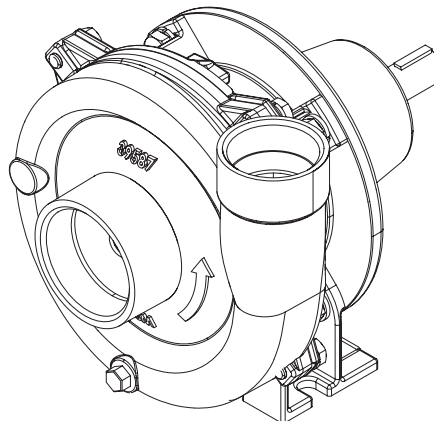
INCLUDING: OPERATION, INSTALLATION AND MAINTENANCE

RELEASED: 8-27-21
(REV: A)

CHEMFLO® 3 (2" X 1-1/2")

**READ THIS MANUAL CAREFULLY BEFORE INSTALLING,
OPERATING OR SERVICING THIS EQUIPMENT.**

It is the responsibility of the employer to place this information in the hands of the operator. Keep for future reference.

**56C****145TC****CC Models****Hydraulic Models****Pedestal Models****Figure 1**

GENERAL DESCRIPTION

CHEMFLO 3:**2" x 1-1/2" End Suction Centrifugal Pump**

Made with high quality investment cast 316 stainless steel components, the ChemFlo® series of pumps are designed to be applied in a wide range of pumping applications where stainless steel is required.

ChemFlo®3 pumps utilize a semi-open impeller design to allow for passage of larger solid sizes and a totally enclosed impeller to meet high efficiency standards. Several seal options are available in addition to the standard type 2100 carbon / ceramic / Viton mechanical seal.

SPECIFICATIONS

Suction And Discharge	2" x 1-1/2 NPT
Application	Agricultural, Commercial, Industrial, Marine, OEM
Materials of construction	316 stainless steel, CFB (nickel aluminum bronze)
Flow	
CC.....	Up to 125 gpm / (473 lpm)
Hydraulic.....	Up to 240 gpm / (908 lpm)
Pedestal.....	Up to 160 gpm / (606 lpm)
Head Feet	
CC.....	Up to 125 ft (38 m)
Hydraulic.....	Up to 200 ft (61 m)
Pedestal.....	98 ft (30 m)
Impeller	5.25" (133 mm) semi-open and enclosed, optional cast 316 stainless steel
Motor	Up to 3 HP (2.24 kw)
Hydraulic Motor	0.22 cu.in. (3.60 ml) 0.37 cu.in. (6.06 ml)
Hydraulic System Pressure	Up to 2600 psi (180 bar)
Hydraulic Fluid Flow	Up to 10 gpm (38 lpm)
Drive Options	Close coupled 56C Close coupled 145TC Close coupled 184C Pedestal PumPAK® (without motor)
Seal	Standard carbon / Ceramic / Viton Special seal material combinations available (Consult factory)
Drive Sleeve	316 stainless steel
Options	Tap for recirculation or seal flush Hydraulic motor driven pedestals and Shaft driven pedestals Hydraulic motors with flow controls and optional case drain

OPERATING AND SAFETY PRECAUTIONS

READ, UNDERSTAND, AND FOLLOW THIS INFORMATION TO AVOID INJURY AND PROPERTY DAMAGE.



⚠ WARNING Be sure hoses and other components can withstand fluid pressures developed by this pump. Check any hoses for damage or wear. Be certain dispensing device is clean and in proper working condition.

⚠ WARNING **IMPROPER GROUNDING.** Can increase spark and electrical shock risk, resulting in severe injury or death. Ground pump and pumping system.

- The pumping system must be grounded when it is pumping, flushing, recirculating, or spraying flammable materials such as paints, solvents, lacquers, etc. or used in a location where surrounding atmosphere is conducive to spontaneous combustion. Ground the dispensing valve or device, containers, hoses, and any object to which material is being pumped.
- Secure pump, connections, and all contact points to avoid vibration and generation of contact or static spark. Consult local building codes and electrical codes for specific grounding requirements. After grounding, periodically verify continuity of electrical path to ground. Test with an ohmmeter from each component (e.g., hoses, piping, pump, clamps, motor, base plate, etc.) to ground to ensure continuity. Ohmmeter should show 0.1 ohms or less.

⚠ WARNING **HAZARDOUS PRESSURE.** Can result in serious injury or property damage. Do not service or clean pump while the system is pressurized.

⚠ WARNING **HAZARDOUS MATERIALS.** Can cause serious injury or property damage. Do not attempt to return a pump to the factory or service center that contains hazardous material. Safe handling practices must comply with local and national laws and safety code requirements. Obtain Material Safety Data Sheets on all materials from the supplier for proper handling instructions.

⚠ CAUTION Check pump seals, elastomers, and all wetted parts to assure compatibility before using commission of the product.

- Verify the chemical compatibility of the pump wetted parts and the substance being pumped, flushed or recirculated. Chemical compatibility may change with temperature and concentration of the chemical(s) within the substances being pumped, flushed or circulated. For specific fluid compatibility, consult the chemical manufacturer.

⚠ CAUTION Maximum temperatures are based on mechanical stress of seals and elastomers only. Certain chemicals will significantly reduce maximum safe operating temperature. Consult the chemical manufacturer for chemical compatibility and temperature limits.

⚠ CAUTION Be certain all operators of this equipment have been trained for safe working practices, understand it's limitations, and wear safety goggles / equipment when required.

⚠ CAUTION Do not use the pump for the structural support of the piping system. Be certain the system components are properly supported to prevent stress on the pump parts.

⚠ CAUTION Prevent unnecessary damage to the pump. Do not allow pump to operate in a dry run condition or under cavitating conditions for extended periods.

⚠ CAUTION Use only genuine MP Pumps® replacement parts to assure compatible pressure rating and longest service life.

⚠ CAUTION The mechanical seal in the pump must not be operated dry.

⚠ CAUTION If a pump will be idle in freezing weather it should be drained or filled with the proper anti-freeze.

NOTICE Pump should be installed in the position consistent with the manufactures specifications.

NOTICE Re-torque all fasteners before operation. Creep of housing and gasket materials may cause fasteners to loosen. Re-torque all fasteners to insure against fluid leakage.

⚠ WARNING = Hazards or unsafe practices which could result in severe personal injury, death or substantial property damage.

⚠ CAUTION = Hazards or unsafe practices which could result in minor personal injury, product or property damage.

NOTICE = Important installation, operation or maintenance information.

STORAGE PRECAUTIONS

Do not store filled with fluid at or below freezing temp of process fluid.

INSTALLATION

INSTALLATION FOR CHEMFLO END SUCTION PUMPS:

MP CHEMFLO centrifugal pumps should be installed with a flooded suction as near to the liquid source as possible. A MP CHEMFLO is not a self-priming pump. If the liquid source is located below the pump a footvalve and some provision for priming must be used. The pump housing and suction line must be completely filled with liquid before operation.

Piping should include shutoff valves and pipe unions on both the discharge and suction to isolate the pump for maintenance.

Provisions for suction and discharge pressure gages are recommended for troubleshooting. The suction line should be as short as possible, at least as large as the pump suction connection, include as few fittings as possible and those should have a long radius to keep friction losses at a minimum. If a footvalve or strainer is included the FREE AREA should be at least three times the area of the pump suction connection. The suction piping must be absolutely free of leaks.

Both suction and discharge piping should be supported independently of the pump. never draw or pull pipe into place, this may impose a strain that will result in misalignment between the pump and driver or otherwise adversely affect the operation of the pump. After connecting piping to the pump rotate the shaft several times to check for rubbing or binding.

INSTALLATION FOR CHEMFLO PUMPAKS:

If it is necessary to install the pump above the level of the liquid, a priming line should be connected directly to the suction line. A check valve must be used in conjunction with a priming line or the priming liquid will merely pass through the suction line to the liquid source. The priming of the suction line evacuates the air in the suction line and pump. This series of pumps will not handle air and therefore all air must be displaced from the suction line and pump before the pump can operate. Be sure that the pump housing is filled with liquid before starting the pump. **THE MECHANICAL SEAL IN THE PUMP MUST NOT BE OPERATED DRY.**

Pipe or hose of the same size (or larger) as inlet and outlet openings should be used on the installation. When using pipe, avoid sharp bends and use long radius elbows wherever possible. This will keep friction loss at a minimum and allow the pump to operate more effectively. Use pipe dope on all connections and be sure all fittings are airtight, especially on the suction side of the pump. An air leak on the suction side of the pump will prevent proper operation. A section of non-collapsible hose between piping and pump may be used as a vibration dampener.

BEARING INSTALLATION (PEDESTAL MODELS):

Check the shaft to insure that it rotates freely. Shafts should be aligned in accordance with the instructions of the coupling manufacturer. Final alignment must be performed after the pump has been completely installed and the pump and driver are at operating temperature. Proper shaft alignment is the responsibility of the installer.

The MP CHEMFLO centrifugal pump should be installed with a flooded suction as near to the liquid source as possible. CHEMFLO pumps are not self-priming pumps. If the liquid source is located below the pump a footvalve and some provision for priming must be used. The pump housing and suction line must be fully primed before operation. The mechanical seal in the pump must not be operated dry.

Piping should include shutoff valves on both the discharge and suction to isolate the pump for maintenance. Provisions for suction and discharge pressure gages are recommended for trouble shooting. The suction line should be as short as possible, at least as large as the pump suction connection, include as few fittings as possible and those should be long radius to keep friction losses at a minimum. If a footvalve or strainer is included the free area should be at least three times the area of the pump suction connection. The suction piping must be absolutely free of leaks.

Both suction and discharge piping should be supported independently of the pump. Never use excessive force to move the pipe into place. This may impose a strain that will result in misalignment between the pump and driver or otherwise adversely affect the operation of the pump. After connecting pipe to the pump rotate the shaft several times to check for rubbing or binding.

MOTOR MOUNTING

Check rotation of the driver to be sure it coincides with the required rotation of the pump. When viewed from the driver end the rotation of the pump is CLOCKWISE.

A Pumpak shaft sleeve is machined to precisely fit the shaft of your driver. No provision is made for drive key and none is required.

Loosen the drive clamp fasteners but do not remove. **NOTE:** If the driver shaft is keyed, remove the key before attempting to install the Pumpak. Slide the Pumpak assembly onto the driver shaft, aligning the capscrew holes in the adaptor with the tapped holes in the driver mounting face until the adaptor contacts the mounting face.

Install fasteners and tighten to secure Pumpak assembly to the driver. First center then tighten the drive clamp assembly to lock the shaft sleeve onto the driver shaft.

After all fasteners are tight including the drive clamp assembly, remove the Assembly shim from the suction connection. The shim was in place to establish clearance between the face of the impeller and pump housing. Rotate the driver slowly by hand to make certain that there is no rubbing.

TO ADJUST IMPELLER CLEARANCE:

1. Loosen the impeller drive sleeve
2. Use a tool such as a screwdriver to push the impeller back then reinsert the Assembly Shim.
3. Seal spring tension should push the impeller forward and capture the shim when the screwdriver is removed.
4. Re-tighten the shaft clamp. Remove the shim then re-check for rubbing.

Torque Specifications		
Size	Stainless Steel (ft-lbs)	Steel GR5 (ft-lbs)
5/16-18	10-14	14-20
3/8-16	20-26	26-32
1/2-13	34-42	70-80
1/2-20	40-48	N/A
5/8-18	85-95	N/A

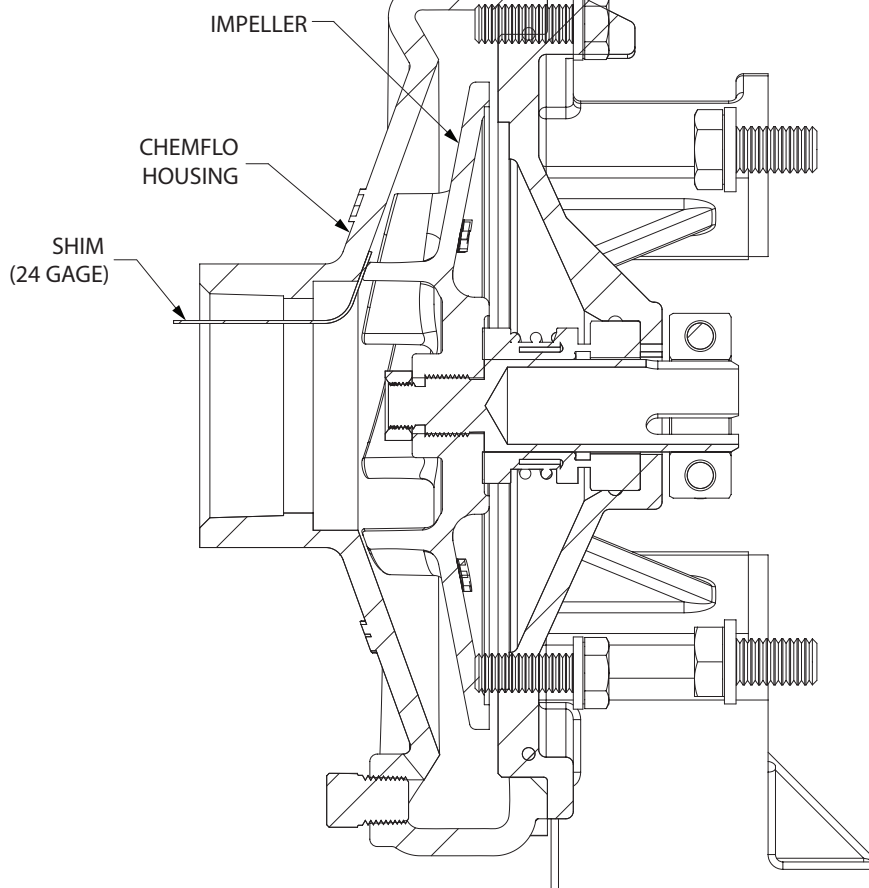
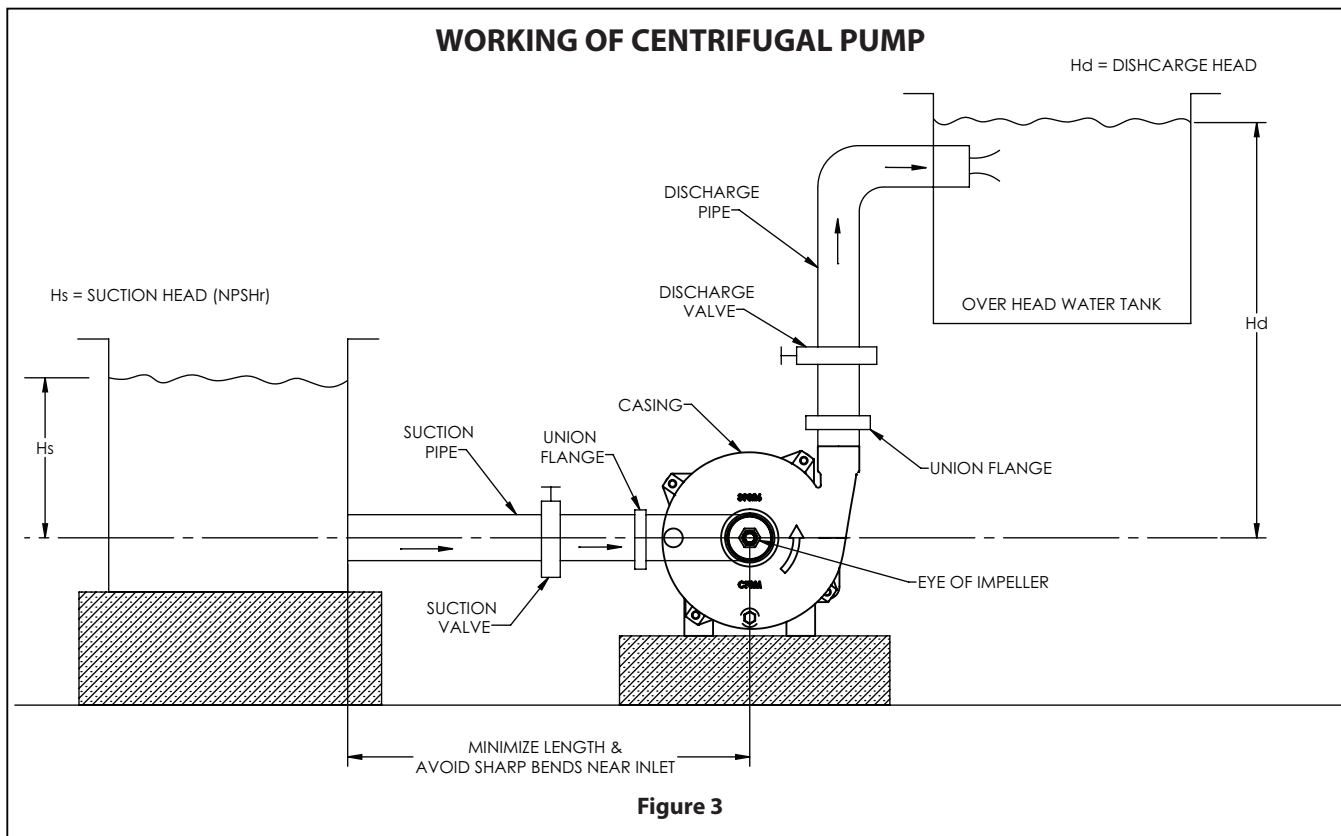


Figure 2



OPERATING INSTRUCTIONS

Inspect the Pumpak as soon as it is received to make certain that no parts are missing or have been broken in shipment. Damage should be reported immediately to the shipping company. **CAUTION: Do not disturb the assembly shim** in the suction opening of the pump housing until after the Pumpak has been completely assembled to the driver.

The Pumpak utilizes a single self-adjusting type mechanical seal that is lubricated and cooled by the liquid in the pump. **THE PUMP MUST NEVER BE OPERATED WITHOUT LIQUID IN THE HOUSING.**

WORKING OF CENTRIFUGAL PUMP:

A centrifugal pump operates through the transfer of rotational energy from one or more driven rotors, called impellers. The action of the impeller increases the fluid's velocity and pressure and directs it towards the pump outlet.

WEAR AND INSPECTION POINTS

Shaft: Inspect threads, keyways and shoulders. Replace if damaged.

Ball bearings (Pedestal and hydraulic models): Replace if worn, loose, or rough and noisy when rotated. If dirty, clean with solvent, dry and coat with a good lubricant. New bearings should not be unwrapped until ready for use.

Impellers: Replace if excessively worn or corroded. The impeller should have been statically and dynamically balanced at the factory, and static and dynamic balance must be maintained for proper operation of your equipment.

Mechanical seals: Should be inspected for, lack of lubrication, misalignment, overheating, abrasive materials damage, and corrosion.

Alignment: Proper alignment between pump shaft and motor shaft is key to the performance of shaft seals and bearings. Improper alignment can lead to premature pump failure.

Pedestal Style: Inline shaft to shaft spacing is dependent upon the coupling being used. Check the alignment carefully between the pump and the drive.

SEAL REPLACEMENT INSTRUCTIONS

DISASSEMBLE THE PUMP:

Drain the system of liquid, break suction and discharge pipe unions, and, if necessary, remove all piping from the suction and discharge openings. Remove the fasteners holding the pump adaptor to the driver, loosen the drive clamp assembly, and remove the PUMPAK.

To disassemble, remove the washers and hexnuts holding the motor adaptor to the housing. Remove the housing. The impeller, drive sleeve, seal bellows, and the spring assembly will now slide forward free of the pump adaptor.

The seal seat and seat cup will remain in the pump adaptor. If not damaged or worn, do not remove. If necessary, remove from the adaptor counter bore with a piece of wood or a screwdriver handle inserted through the adaptor from the drive end. A sharp tap or two is usually sufficient to knock out the seal seat. Use caution in removing the seal seat so as not to crack a ceramic seat.

REMOVE IMPELLER

Remove seal bellows and spring assembly. On some models, spring keeper can also be removed now before removing impeller.

NOTE: The seal bellows will be bonded to the shaft sleeve and will require some patience and caution in removal in order not to damage the seal bellow and cage.

MP Pumps rebuild kits include a new drive sleeve to avoid the possibility of damaging the drive sleeve. See back of manual for list of seal kits and corresponding rebuild kits. Impellers are also available if wear or damage is present.

Remove locknut from shaft; unscrew the impeller from the shaft sleeve counter-clockwise from the impeller end.

INSPECTION:

Check all parts for wear. For ease of reassembly shaft sleeve should have all nicks and burrs removed. Clean with light crocus cloth. Replace damaged parts with new parts.

Inspect the seal seat and washer, seat cup, and seal bellows for grooves, cuts, scuffmarks, or other deterioration. If any of the parts are damaged, a complete new assembly should be installed.

REASSEMBLY:

All dirt and foreign matter should be removed. Recommend only using new seals and elastomers when reassembling a pump.

Lubricate seal seat cup with liquid soap (P-80 emulsifier) or clean grease and press seal seat into adaptor counter bore, seating it firmly and squarely. Use caution so as not to mar the lapped face of the seal seat.

Assemble shaft sleeve; seal spring keeper, impeller and impeller nut. Before installing seal bellows and spring assembly, lubricate the shaft sleeve and rubber bellows with liquid soap (P-80 emulsifier) or clean grease and press bellows and spring assembly onto the shaft sleeve. The spring should engage the spring keeper at the impeller end of the shaft sleeve.

To be properly positioned the washer must be firmly against the rubber bellows member and the driving lugs of the washer properly engaged. The raised shoulder on the seal washer should be facing away from the impeller to contact the lapped surface of the seal seat in the adaptor.

Slide impeller and seal assembly into the adaptor. Install drive clamp assembly on the shaft sleeve but do not tighten.

Make sure the shim is installed between the impeller and the wear plate. Do not remove the shim material before the drive sleeve clamp has been tightened to the motor drive shaft.

INSTRUCTIONS FOR SET SCREW TYPE SEAL:

Do not remove the seal retaining clips. Slide the seal into place on the shaft. The end of the shaft will be recessed approximately $.080" \pm .020"$ from the end of the seal. The proper seal working height is achieved when the seal faces are set flush with the seal clips in place.

With the seal clips still in place tighten the seal fasteners with a ball end allen wrench. It is important that the allen wrench not rest upon the seal housing during tightening as this may affect the position of the seal on the shaft. After the seal fasteners have been tightened the seal clips should be removed and saved.

Do not use the seal shim with setscrew type seal.

For bellows seal install the seal spacer on the backside of the impeller. Use a light grease or similar tacky material. Thread impeller onto shaft. Install jam nut. Place o-ring onto seal plate. Install impeller/bearing housing assembly into pump housing. Install lock washers and hex nuts. Rotate the shaft several times to check for rubbing or binding.

BEARING REPLACEMENT INSTRUCTIONS (PEDESTAL MODELS)

The pump utilizes a single self-adjusting type mechanical seal that is lubricated and cooled by the liquid in the pump.

THE PUMP MUST NEVER BE OPERATED WITHOUT LIQUID IN THE HOUSING.

Check rotation of the driver to be sure it coincides with the required rotation of the pump. When viewed from the driver end the rotation of the pump is CLOCKWISE.

The pump's grease lubricated bearings are sealed. They have been pre-lubricated at the factory and require no further lubrication or maintenance for the life of the bearing. Electric motors or other rotating equipment used to drive the pump should be lubricated in accordance with the manufacturer's instructions.

DISASSEMBLY:

Drain the housing by removing the drain plug. Remove the hex nuts and lock washers from the housing studs. Slide the bearing housing/impeller assembly out of the housing, it may be necessary to rotate the driver shaft out of the way. With the bearing /impeller assembly on a bench secure shaft, unthread impeller nut then unthread impeller. Remove the seal from the shaft. Lift off the seal plate. Place the seal plate face down on the bench and press the seal seat out. Remove the snap ring from the backside of the bearing housing. With a soft mallet, loosen the shaft assembly by tapping the impeller end then slide the bearing assembly from the housing. Press the bearings from the shaft.

ASSEMBLY:

Press bearings onto the shaft. Slide the shaft / bearing assembly into the bearing housing and install the snap ring. Place seal housing face up on bench. Lubricate non-PTFE seal seat with water-soluble lubricant and gently press into seal housing. If pinned seat is used be certain that pin is in place, lined up with groove in seal seat. Place seal housing onto pilot of bearing housing. Lubricate shaft with water-soluble lubricant. Slide seal onto shaft.

PARTS LIST / CHEMFLO 3 CC (56C AND 145TC)

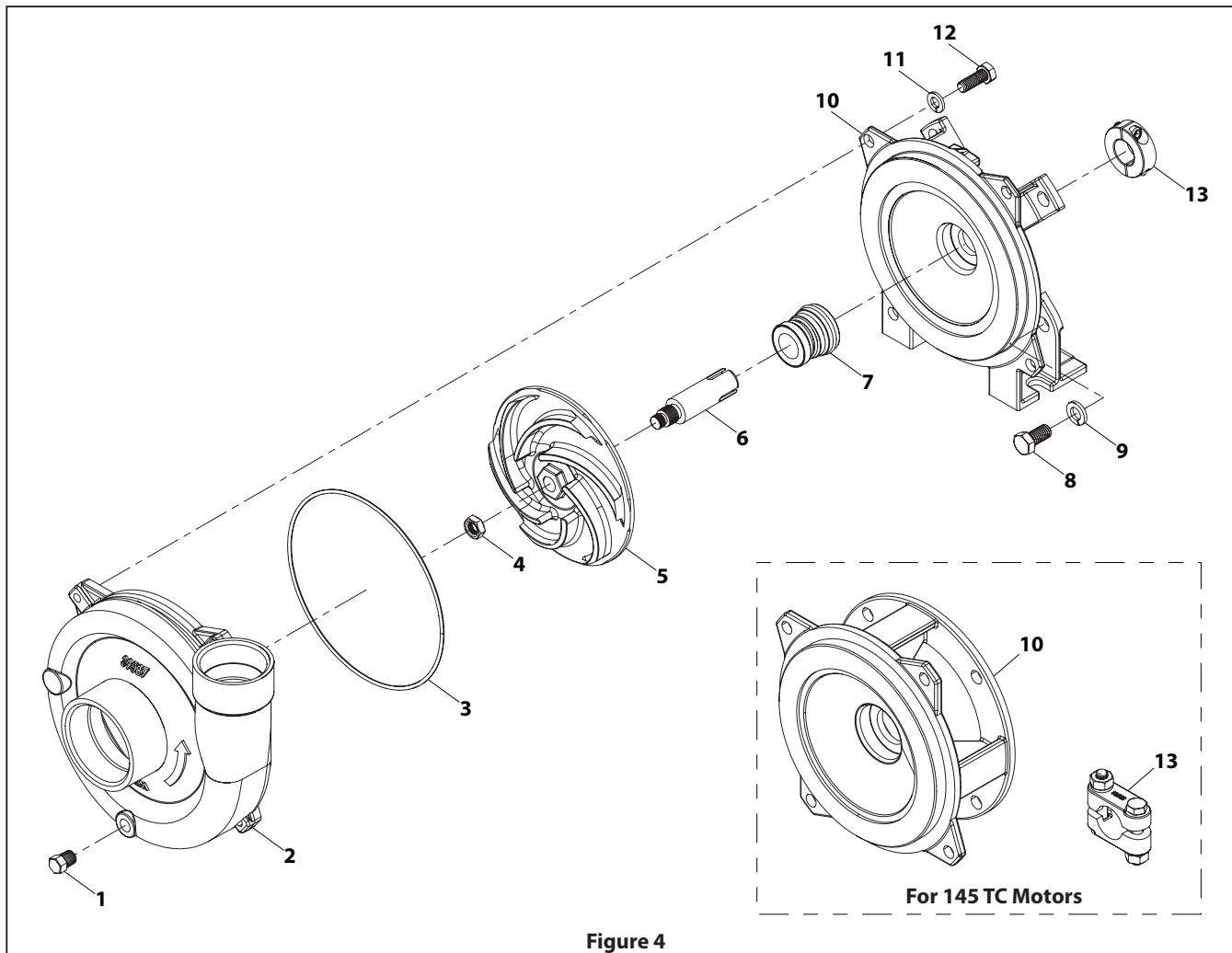


Figure 4

PARTS LIST / CHEMFLO 3 CC (56C AND 145TC)

Item	Description (size)	Qty	Part No.	Mtl
1	Pipe Plug (1/8" NPT)	1	21255	316 SS
2	Housing	1	39588	CF8M SS
3	O-Ring (AS-568-163)	1	30066	PTFE ENCAPS SIL.
	O-Ring (AS-568-162)	1	31230	EPDM
	O-Ring (AS-568-162)	1	29715	VITON
	O-Ring (AS-568-162)	1	39375	BUNA
4	Hex Jam Nut	1	35599	316 SS
	Hex Jam Nut (SS: 3/8-24)	1	35598	316 SS
5	Impeller (5.25, 56C)	1	29912	CF8M SS
	Impeller (4.88, 56C)	1	30237	CF8M SS
	Impeller (4.20, 56C)	1	30238	CF8M SS
	Impeller (3.85, 56C)	1	37974	CF8M SS
	Impeller (3.75, 56C)	1	30239	CF8M SS
	Impeller (4.00, 56C)	1	39256	CF8M SS
	Impeller (5.25, 56C)	1	33005	CF8M SS
	Impeller (5.25, 56C)	1	39622	CF8M SS
	Impeller (5.25, 145TC)	1	34208	CF8M SS
	Impeller (5.25, 145TC)	1	35927	CF8M SS
	Impeller (4.88, 145TC)	1	34659	CF8M SS
	Impeller (4.20, 145TC)	1	36365	CF8M SS

Item	Description (size)	Qty	Part No.	Mtl
6	Drive Sleeve (56C)	1	29785	316 SS
	Drive Sleeve (145TC)	1	35753	316 SS
7	See Seal Table for Options (Page No 12)			
8	Cap Screw (3/8-16 X 3/4)	4	25663	304 SS
9	Lock washer (5/16 X 18)	4	21238	304 SS
10	Adapter (145TC)	1	33794	316 SS
	Adapter (56C)	1	29908	CF8M SS
11	Lock washer (3/8 X 1/8)	4	21266	304 SS
12	Cap Screw HH (5/16-18 X 7/8)	4	21242	304 SS
13	Clamp Assembly	1	23003	316 SS
	Clamp	1	28049	ZPS

PARTS LIST / CHEMFLO 3 HYDRAULIC (0.22 AND 0.37)

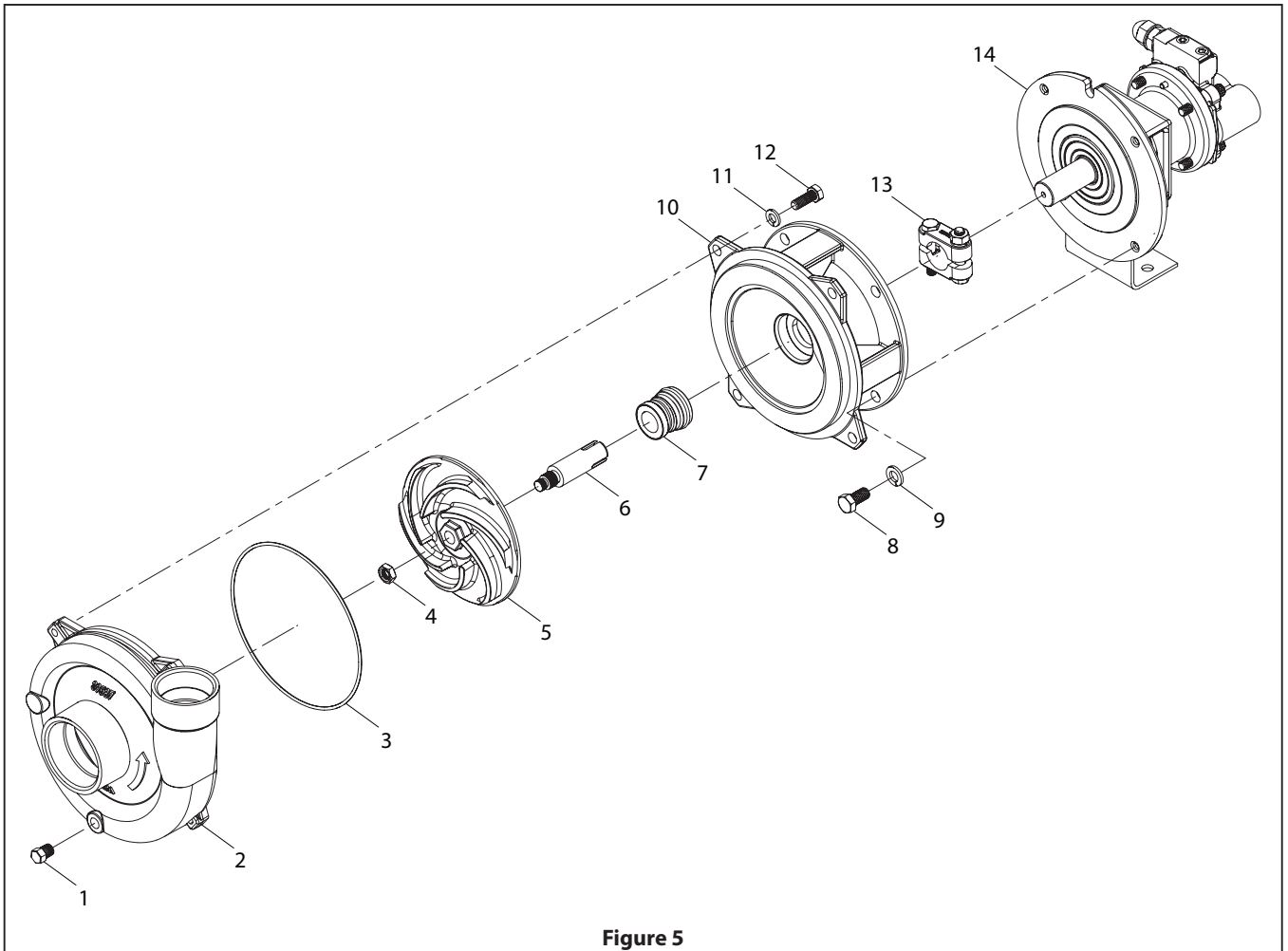


Figure 5

PARTS LIST / CHEMFLO 3 HYDRAULIC (0.22 AND 0.37)

Item	Description (size)	Qty	Part No.	Mtl
1	Pipe Plug (1/8" NPT)	1	21255	316 SS
2	Housing	1	39588	CF8M SS
3	O-Ring (A5-568-162)	1	29715	VITON
4	Hex Jam Nut	1	35599	316 SS
5	Impeller (5.25, 145TC)	1	34208	CF8M SS
6	Drive Sleeve (145TC)	1	35753	316 SS
7	See Seal Table for Options (Page No 12)			
8	Capscrew (3/8-16 X 3/4)	4	25663	304 SS
9	Lockwasher (5/16 X 18)	4	21238	304 SS
10	Adapter (145TC)	1	33794	316 SS

Item	Description (size)	Qty	Part No.	Mtl
11	Lockwasher (3/8 X 1/8)	4	21266	304 SS
12	Cap Screw (HH 5/16-18 X 7/8)	4	21242	304 SS
13	Clamp Assembly	1	23003	316 SS
14	Hydraulic Pedestal (0.37 CU IN)	1	36449	CAST IRON
	Hydraulic Pedestal (0.22 CU IN)	1	36025	CAST IRON
	Hydraulic Pedestal (0.37 CU IN W/FI CTR)	1	36269	CAST IRON
	Hydraulic Pedestal (0.22 CU IN W/FI CTR)	1	36271	CAST IRON

PARTS LIST / CHEMFLO 3 PEDESTAL

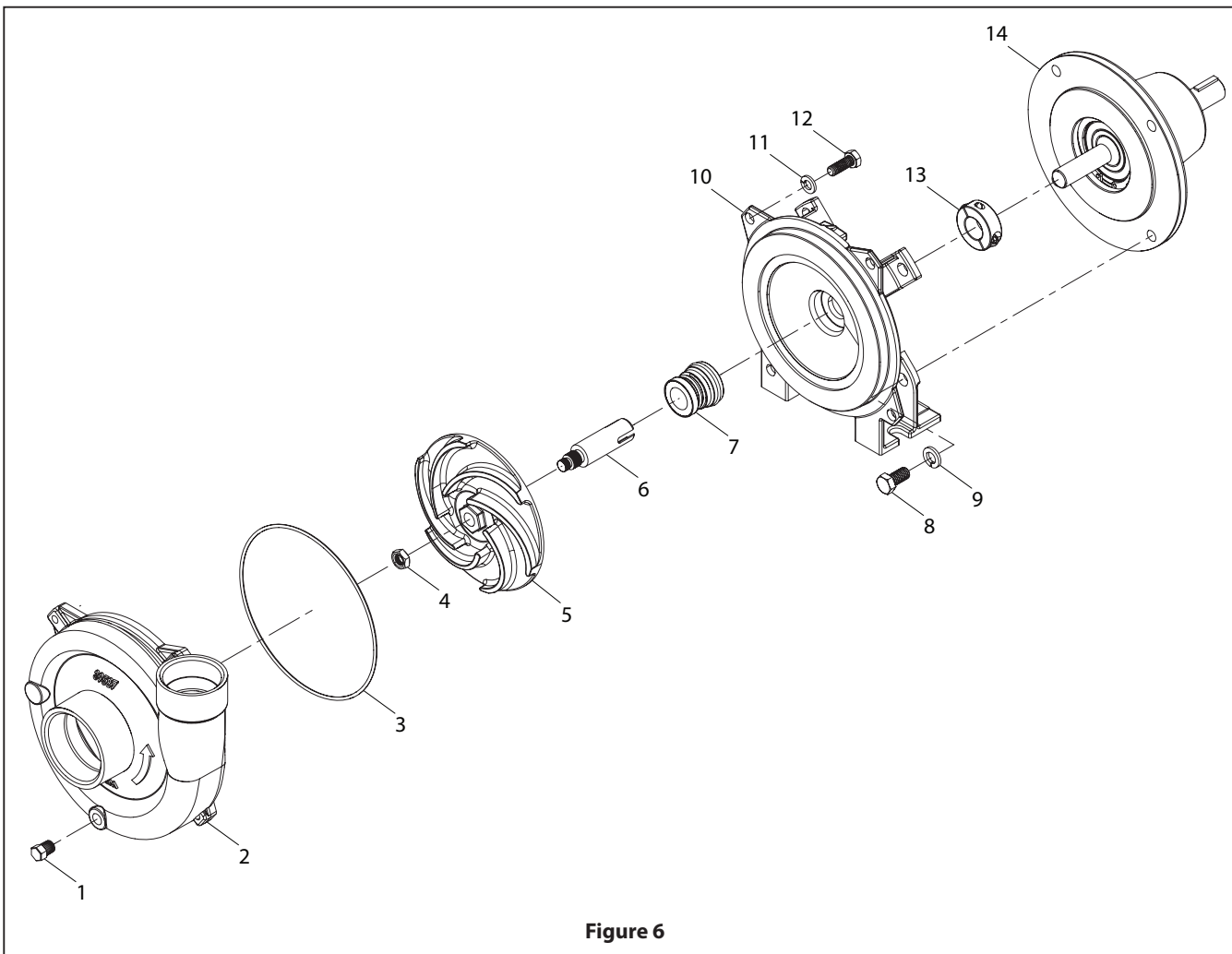


Figure 6

PARTS LIST / CHEMFLO 3 PEDESTAL

Item	Description (size)	Qty	Part No.	Mtl
1	Pipe Plug (1/8" NPT)	1	21255	316 SS
2	Housing	1	39588	CF8M SS
3	O-Ring (A5-568-162)	1	29715	VITON
	O-Ring (A5-568-162)	1	31230	EPDM
4	Hex Jam Nut (SS: 3/8-24)	1	35598	316 SS
5	Impeller (5.25)	1	29912	CF8M SS
	Impeller (3.75)	1	30239	CF8M SS
	Impeller (4.88)	1	30237	CF8M SS
6	Drive Sleeve (56C)	1	29785	316 SS
7	See Seal Table for Options (Page No 12)			
8	Capscrew (3/8-16 X 3/4)	4	25663	304 SS

Item	Description (size)	Qty	Part No.	Mtl
9	Lockwasher (5/16 X 18)	4	21238	304 SS
	Flat Washer (3/8 X 1)	4	50914	SS
10	Adapter (56C)	1	29908	CF8M SS
11	Lockwasher (3/8 X 1/8)	4	21266	304 SS
12	Cap Screw (HH 5/16-18 X 7/8)	4	21242	304 SS
13	Clamp	1	28049	ZPS
14	Pedestal	1	29670	CAST IRON

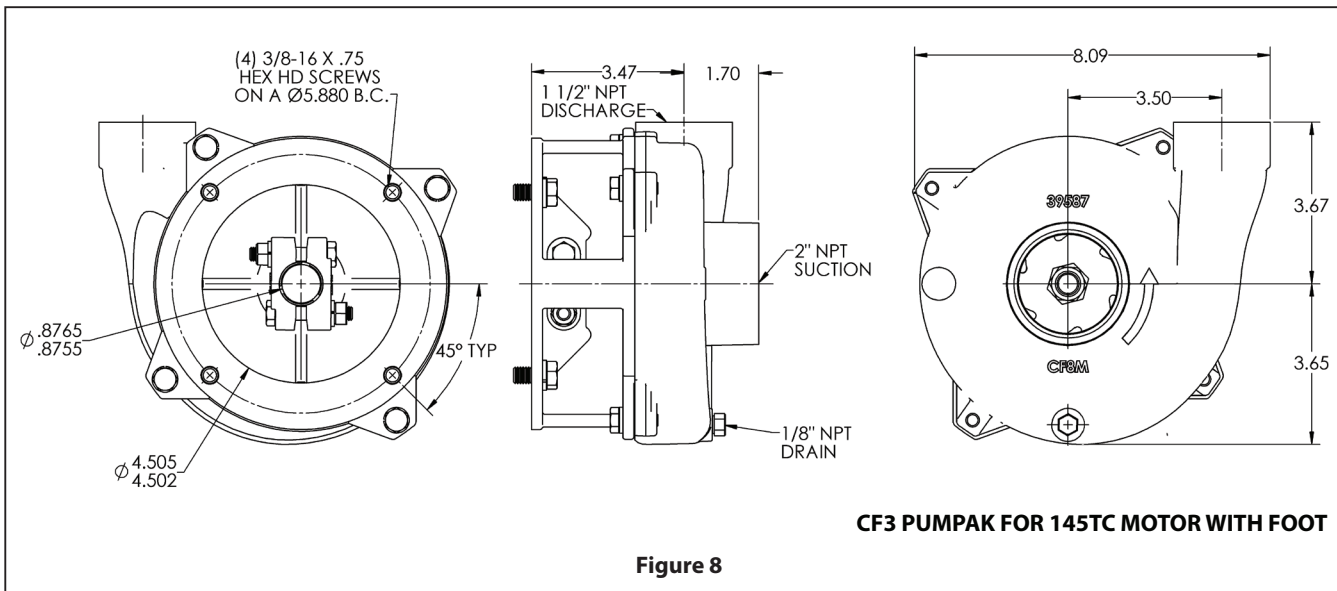
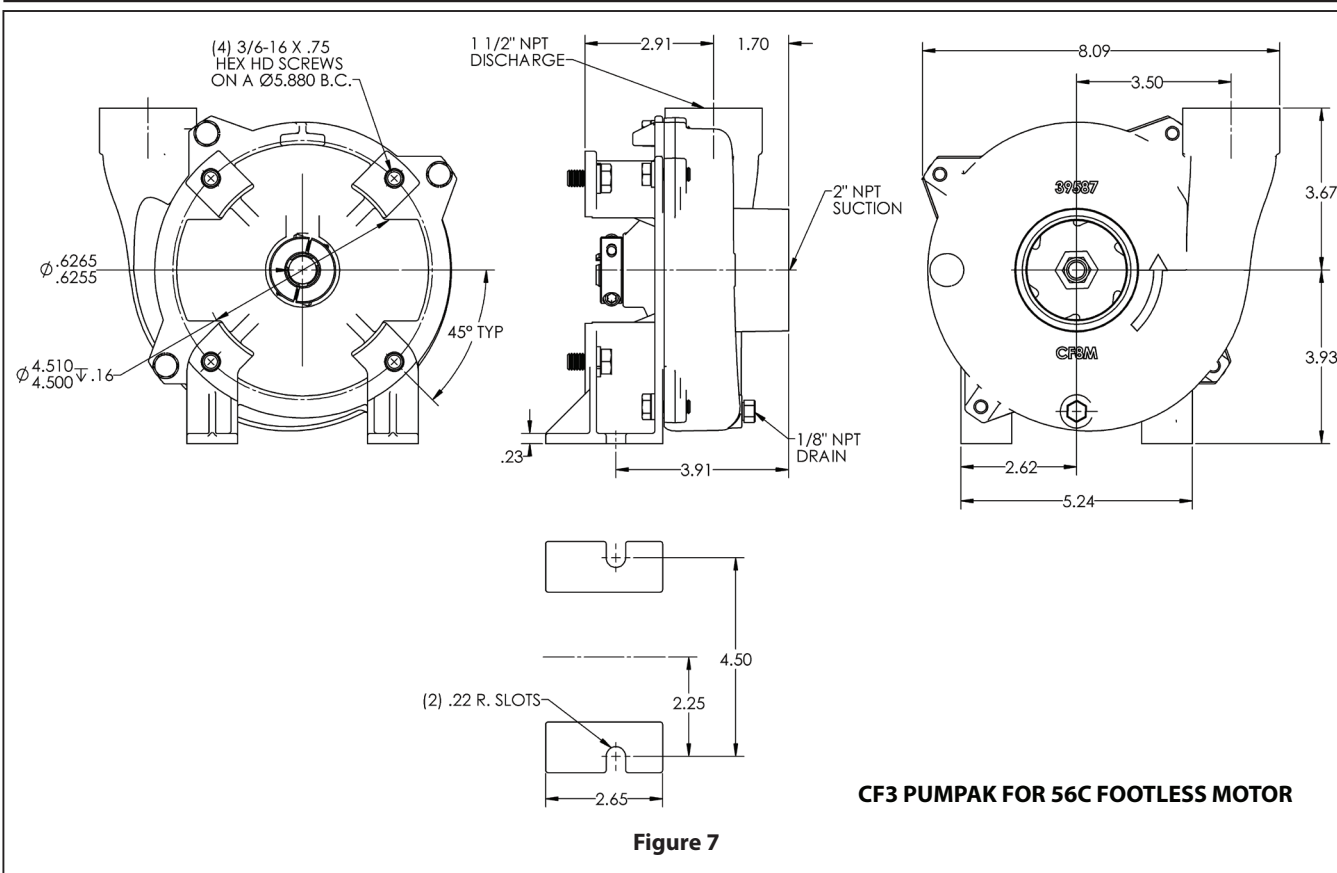
SERVICE KITS

PUMP MODEL	PUMP DESCRIPTION	SEAL KIT	BEARING KIT	IMPELLER
MP39346	CF3PMP SS:1.5-1 1750 56C MB 5.25T-2100HF	MP51271	#N/A	MP33005
MP39626	CF3PMP SS:1.5-1 56C MB 3.75 T-2100	MP51271	#N/A	MP30239
MP31208	CF3PMP SS:1.5-3 56C MB 3.75 T-2100	MP51271	#N/A	MP30239
MP39257	CF3PMP SS:1.5-3 56C MB 4.00 T-2100	MP51271	#N/A	MP39256
MP39639	CF3PMP SS:1/2-1 56C 5.25 T-2 SSCSSS	MP51274	#N/A	MP29912
MP36705	CF3PMP SS:1/2-3 56C 1750 MB 5.25 T-2100	MP51271	#N/A	MP29912
MP39544	CF3PMP SS:1-3 56C MB 4.2 T-2100	MP51271	#N/A	MP30238
MP30713	CF3PMP SS:2-1 56C MB 3.75 T-2100	MP51271	#N/A	MP30239
MP33198	CF3PMP SS:2-3 56C MB 3.75 T-2100	MP51271	#N/A	MP30239
MP37975	CF3PMP SS:2-3 56C MB 3.85 T-2100	MP51271	#N/A	MP37974
MP35217	CF3PMP SS:3/4-1 56C 1750 MB 5.25 T-2100	MP51271	#N/A	MP29912
MP36276	CF3PMP SS:3/4-1 56C 1750 XP MP 5.25 T-21	MP51271	#N/A	MP29912
MP50430	CF3PMP SS:3-1 56C 4.88 SSC	MP51274	#N/A	MP30237
MP38545	CF3PMP SS:3-1 56C 4.88 T-2100	MP51271	#N/A	MP30237
MP50395	CF3PMP SS:3-1 56C MTO 5.25 ENCT-2100	MP51271	#N/A	MP39622
MP36028	CF3PMP SS:3-1 56C MTO 5.25 T-2100	MP51271	#N/A	MP29912
MP37018	CF3PMP SS:3-3 145TC 5.25	MP51272	#N/A	MP34208
MP39122	CF3PMP SS:3-3 145TC BALDOR 5.25 T-2100	MP51272	#N/A	MP34208
MP51129	CF3PMP SS:3-3 56C 230/460 MB 4.20 T-2SSC	MP51274	#N/A	MP30238
MP50859	CF3PMP SS:3-3 56C 4.88 T-2 SSC	MP51274	#N/A	MP30237
MP30615	CF3PMP SS:3-3 56C 5.25 T-2 SSCSSS	MP51274	#N/A	MP29912
MP50802	CF3PMP SS:3-3 56C 575V MB 5.25 T-2100	MP51271	#N/A	MP29912
MP50509	CF3PMP SS:3-3 56C MB 4.2 T-21 EP	MP51276	#N/A	MP30238
MP31878	CF3PMP SS:3-3 56C MB 4.2 T-2100	MP51271	#N/A	MP30238
MP31800	CF3PMP SS:3-3 56C MB 4.88 T-2100	MP51271	#N/A	MP30237
MP30708	CF3PMP SS:3-3 56C MB 5.25 T-2100	MP51271	#N/A	MP29912
MP38009	CF3PMP SS:3-3 56C MB 5.25 T-2100 BALDOR	MP51271	#N/A	MP29912
MP37154	CF3PMP SS:3-3 56C WDM 4.88	MP51271	#N/A	MP30237
MP35928	CF3PMP SS:5-3 184C 5.25 T-2100 HF	MP51272	#N/A	MP35927
MP37049	CF3PMP SS:5-3 184C 5.25 VD	MP51272	#N/A	MP34208
MP36021	CF3PMP SS:HS HYD .22 DISP CI WBA 5.25 VD	MP51272	#N/A	MP34208
MP36006	CF3PMP SS:HS HYD .37DISP CI WBA 5.25 VD	MP51272	#N/A	MP34208
MP36493	CF3PMP SS:HSHYD .22DISP CI F-CTL 5.25 VD	MP51272	#N/A	MP34208
MP36274	CF3PMP SS:HSHYD .37DISP CI F-CTL 5.25 VD	MP51272	#N/A	MP34208
MP39213	CF3PMP SS:PED 3.75 T-2 SSCSSS	MP51274	MP51281	MP30239
MP30542	CF3PMP SS:PED 4.88 T-21 EPT	MP51276	MP51281	MP30237
MP30483	CF3PMP SS:PED 4.88 T-2100	MP51271	MP51281	MP30237
MP30482	CF3PMP SS:PED 5.25 T-2100	MP51271	MP51281	MP29912
MP36366	CF3PPK SS:145TC 4.2 T-2100	MP51272	#N/A	MP36365
MP35552	CF3PPK SS:145TC 4.88 T-2100	MP51272	#N/A	MP34659
MP34216	CF3PPK SS:145TC 5.25 T-2100	MP51272	#N/A	MP34208
MP35376	CF3PPK SS:145TC 5.25 T-2100	MP51272	#N/A	MP34208
MP50925	CF3PPK SS:145TC 5.25 T-2100 HF	MP51272	#N/A	MP35927
MP30422	CF3PPK SS:3.75 T-2100	MP51271	#N/A	MP30239
MP30457	CF3PPK SS:3.75 T-9 TFE	MP51273	#N/A	MP30239
MP30470	CF3PPK SS:4.2 T-21 EPT	MP51276	#N/A	MP30238
MP30421	CF3PPK SS:4.2 T-2100	MP51271	#N/A	MP30238
MP30456	CF3PPK SS:4.2 T-9 TFE	MP51273	#N/A	MP30238
MP30420	CF3PPK SS:4.88 T-2100	MP51271	#N/A	MP30237
MP29917	CF3PPK SS:5.25 T-2100	MP51271	#N/A	MP29912
MP39621	CF3PPK SS:5.25 T-2100 ENC	MP51271	#N/A	MP39622
MP33006	CF3PPK SS:5.25 T-2100 HF	MP51271	#N/A	MP33005
MP30074	CF3PPK SS:5.25 T-9 TFE	MP51273	#N/A	MP29912
MP38576	CF3PPK SS:5.25 T-9 TFE HF	MP51273	#N/A	MP33005

SEAL TYPE OPTIONS

Seal PN	Seal Type	Shaft Dia.	Mating Ring	Material		
				Primary Ring	Elastomer	Components
29168	2	0.75" (19.05 mm)	Silicon Carbide	Carbon	Viton	316 SS
30061	2100	0.75" (19.05 mm)	Ceramic	Carbon	Viton	316 SS
30358	21	0.75" (19.05 mm)	Ceramic	Carbon	EPT	316 SS
30745	21	0.75" (19.05 mm)	NI-Resist	Carbon	EPT	316 SS
34611	52	0.75" (19.05 mm)	Silicon Carbide	Silicon Carbide	Buna	316 SS
30340	2	0.75" (19.05 mm)	Silicon Carbide	Silicon Carbide	Viton	316 SS
30259	2100	0.75" (19.05 mm)	NI-Resist	Carbon	Viton	316 SS
22560	21	1" (25.4 mm)	Silicon Carbide	Silicon Carbide	Viton	18-8 SS
25015	21	1" (25.4 mm)	Ceramic	Carbon	Buna	18-8 SS
26440	9	1" (25.4 mm)	Ceramic	Carbon	Chemlon	316 SS
22273	2100	1" (25.4 mm)	Ceramic	Carbon	Viton	316 SS
27969	21	1" (25.4 mm)	Ceramic	Carbon	EPDM	18-8 SS
35610	2	1" (25.4 mm)	Silicon Carbide	Carbon	Viton	18-8 SS
25460	21	1	NI-Resist	Carbon	Viton	18-8 SS

DIMENSIONAL DATA



DIMENSIONAL DATA

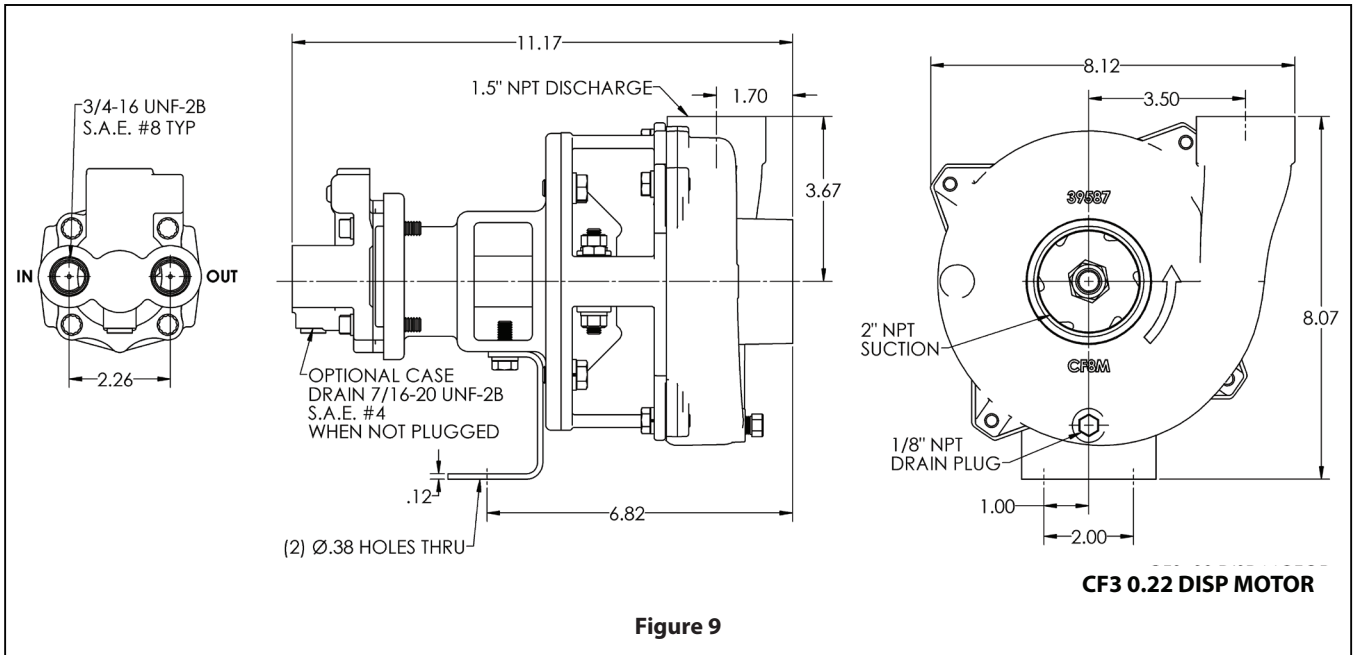


Figure 9

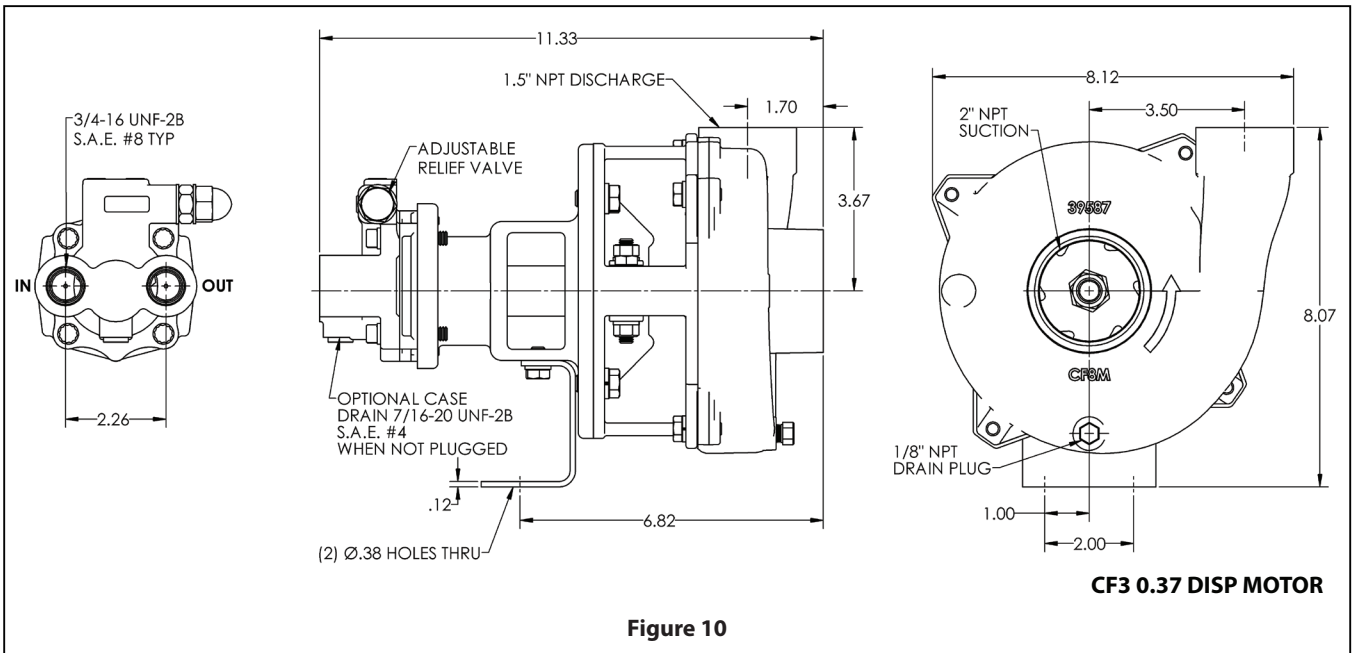


Figure 10

DIMENSIONAL DATA

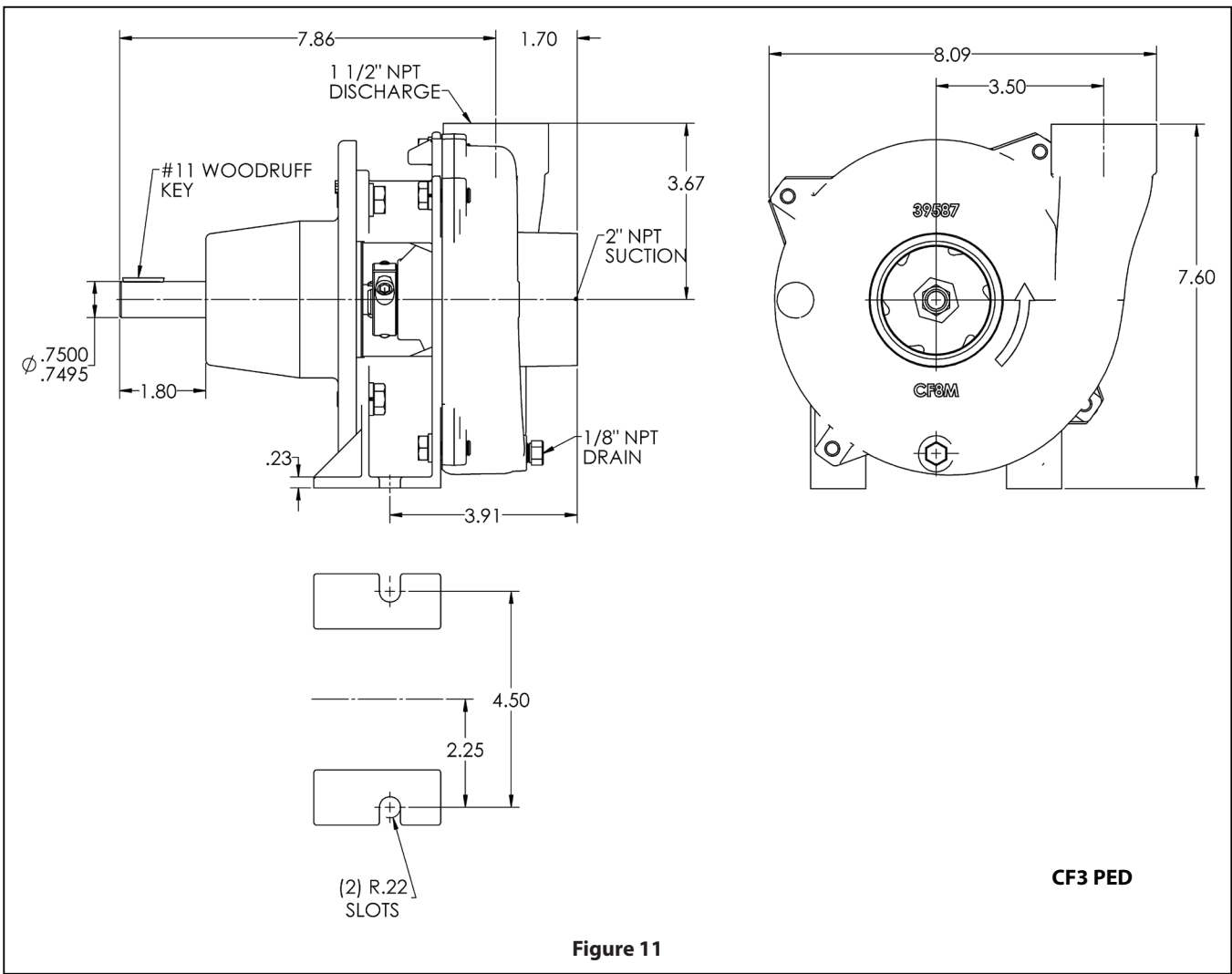


Figure 11

TROUBLESHOOTING

PROBLEM	PROBABLE CAUSE	REMEDY
No liquid delivered.	1. Pump not primed.	1. Reprime pump, check that pump and there are no obstructions in the suction line.
	2. Discharge valve closed	2. Check discharge valve.
	3. Suction line clogged.	3. Remove obstructions.
	4. Wrong direction of rotation.	4. Change rotation to concur with direction indicated on bearing housing or pump casing.
	5. Total head is too high	5. Re-evaluate head conditions.
	6. Driver is not operating at rated speed.	6. Check electric motor voltage; check engine rpm
	7. Pump is vapor bound	7. Provide additional pressure on liquid being pumped by elevating liquid source.
	8. Foot valve or suction pipe opening not submerged enough	8. Consult factory for proper depth. Use baffle to eliminate vortices.
Pump not producing rated flow or head.	1. Air leak through gasket.	1. Replace gasket.
	2. Air leak through stuffing box.	2. Replace or adjust packing/mechanical seal.
	3. Impeller partly clogged.	3. Back flush pump to clean impeller.
	4. Worn suction side plate or wear rings.	4. Replace defective parts as required.
	5. Pump is not properly primed.	5. Reprime pump, check that pump and there are no obstructions in the suction line. Check NPSHa to ensure that there is enough liquid for pump operation.
	6. Driver is not operating at rated speed.	6. Check electric motor voltage; check engine rpm
	7. Pump is vapor bound	7. Provide additional pressure on liquid being pumped by elevating liquid source. or consider installing an air release valve in the discharge line to remove the air to allow the pump to become dynamic.
	8. Insufficient suction head.	8. Ensure that suction line shutoff valve is fully open and line is unobstructed.
	9. Worn or broken impeller.	9. Inspect and replace if necessary.
Pump starts then stops pumping.	1. Excessive air in liquid.	1. Clean and tighten all suction connections; relocate suction inlet in liquid source.
	2. Defective packing or seal.	2. Replace packing or seal.
	3. Pump is vapor bound.	3. Provide additional pressure on liquid being pumped by elevating liquid source. or consider installing an air release valve in the discharge line to remove the air to allow the pump to become dynamic.
	4. Air or vapor pockets in suction line.	4. Rearrange piping to eliminate air pockets.
	5. Air leak in suction line.	5. Repair leak.
Bearings run hot.	1. Improper alignment.	1. Re-align pump and drive.
	2. Improper lubrication.	2. Check lubricate for suitability and level.
	3. Lube cooling.	3. Check cooling system

PROBLEM	PROBABLE CAUSE	REMEDY
Pump is noisy or vibrates.	1. Improper pump/driver alignment.	1. Align shafts.
	2. Partly clogged impeller causing imbalance.	2. Back-flush pump to clean impeller.
	3. Broken or bent impeller or shaft.	3. Replace as required.
	4. Foundation not rigid.	4. Tighten bolts of pump and motor or adjust stilts
	5. Worn bearings.	5. Replace.
	6. Suction or discharge piping not anchored or properly supported.	6. Anchor per Hydraulic Institute Standards Manual recommendation.
	7. Pump is cavitating.	7. Check NPSHa, Air leaks to ensure that there is enough liquid for pump operation.
Excessive leakage from stuffing box/seal chamber.	1. Worn mechanical seals.	1. Replace worn parts.
	2. Overheating mechanical seal.	2. Check lubrication and cooling lines.
	3. Shaft sleeve scored.	3. Remachine or replace as required
Motor requires excessive power.	1. Head lower than rating; pumps too much liquid.	1. Consult factory. Install throttle valve, trim impeller diameter.
	2. Speed is too high.	2. Electric motor wiring is wrong. Replace motor.
	3. Wrong direction of rotation.	3. Check wiring diagram.
	4. Impeller is clogged.	4. Back flush pump to clean impeller.
	5. Impeller is binding.	5. Relieve strain on casing; adjust impeller clearance.
	6. Driver and pump are misaligned.	6. Realign driver with pump.
	7. Power frame shaft is bent.	7. Replace shaft.
	8. Worn suction side plate or wear rings.	8. Replace defective parts as required.
	9. Liquid heavier than expected.	9. Check specific gravity and viscosity.
	10. Stuffing box too tight.	10. Readjust packing. Replace if worn.
	11. Rotating parts bind.	11. Check internal wearing parts for proper clearances
Pump fails to prime or loses its prime.	1. Air leaks in suction line.	1. Clean and tighten all suction connections; relocate suction inlet in liquid source.
	2. Suction strainer is clogged. Suction lift is too high.	2. Clean debris from strainer. Re-evaluate pump requirements and correct suction conditions.
	3. Defective priming valve.	3. Replace valve.
	4. Defective seal.	4. Replace seal.
Insufficient pressure.	1. Excessive air in liquid.	1. Clean and tighten all suction connections; relocate suction inlet in liquid source.
	2. Driver is not operating at rated speed.	2. Check electric motor voltage; check engine rpm
	3. Wrong direction of rotation.	3. Change rotation to concur with direction indicated on bearing housing or pump casing.
	4. Total head is too high.	4. Re-evaluate head conditions.
	5. Worn suction side plate or wear rings.	5. Replace defective parts as required.
	6. Broken or bent impeller or shaft.	6. Replace as required.
	7. Air leak through gasket.	7. Replace gasket.
	8. Liquid is vaporizing	8. Provide additional pressure on liquid being pumped by elevating liquid source. Check temperature of liquid being pumped'