



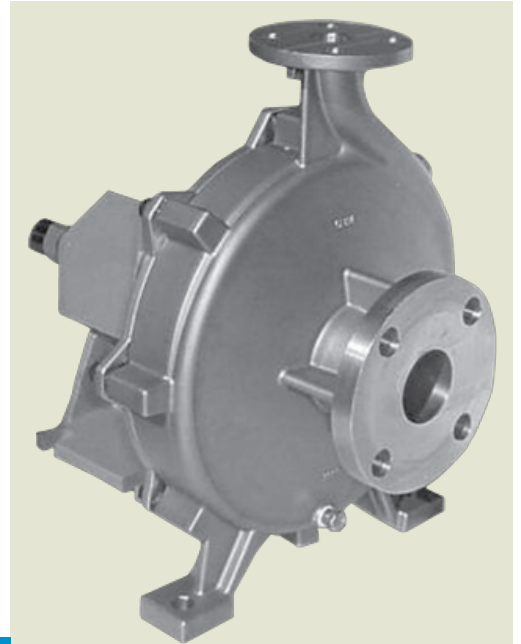
CHEMFLO® 9

2" x 1" End Suction Centrifugal Pump

Made with high quality investment cast 316 stainless steel components, the ChemFlo® series of pumps are designed to be applied in a wide range of pumping applications where stainless steel is required.

The ChemFlo® 9 pumps utilize an enclosed impeller designed for achieving higher heads and efficiencies than a standard semi-open impeller. Multiple impeller trims allow the ChemFlo® 9 to meet most duty points up to 270 GPM and total head up to 460 feet. Several mechanical seal options are available in addition to the standard type 2100 carbon / ceramic / Viton mechanical seal.

ChemFlo® 9 pumps are offered in two configurations, pump (with motor) and PumPAK® (without motor) versions. Motors available are 184TC, 215TC, 256TC, 286TSC, and 324TS. If ordering a PumPAK® please note that the electric motor must have a base.



SPECIFICATIONS:

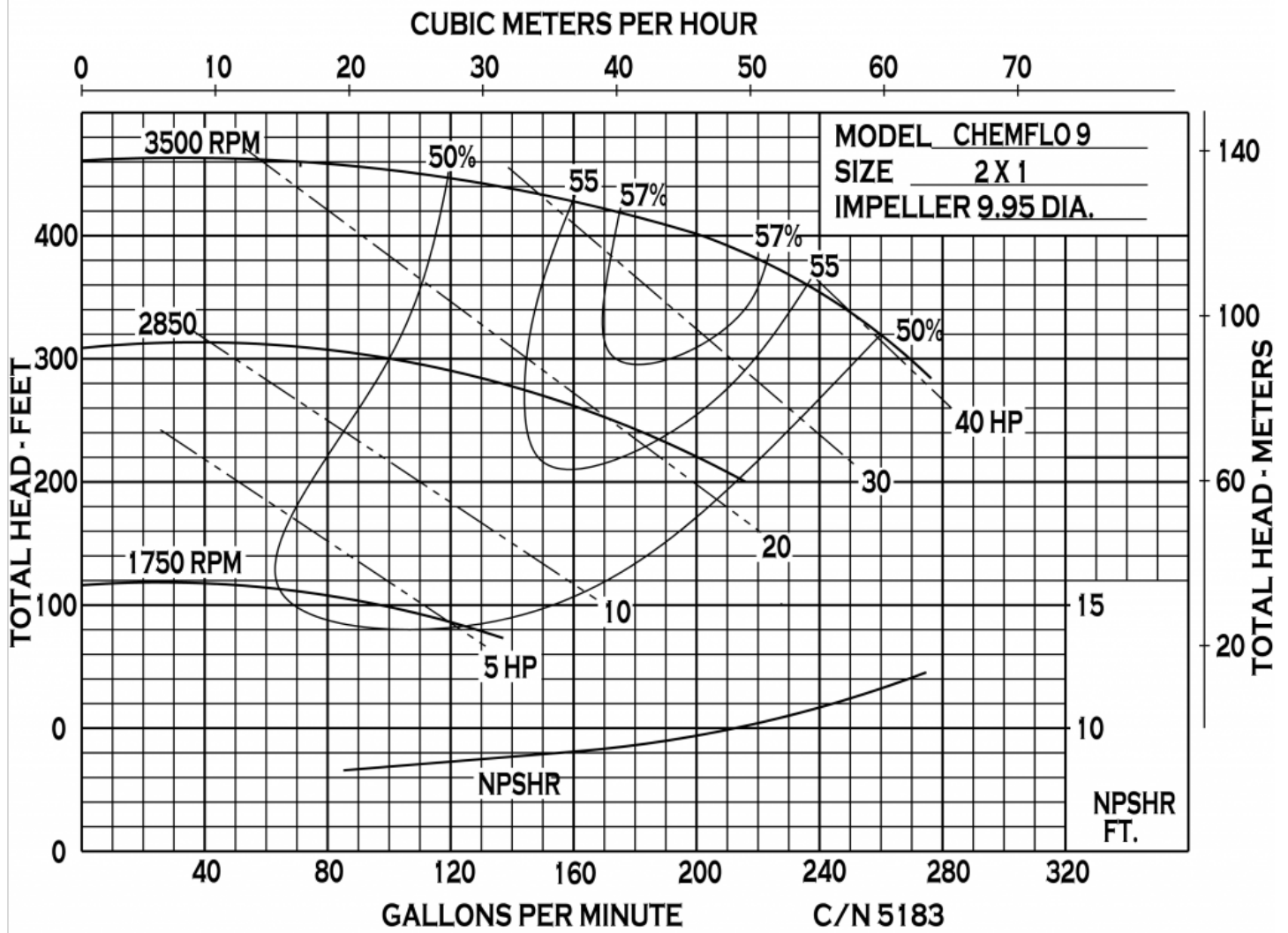
Suction And Discharge	2" x 1" 150# ANSI flange
Materials Of Construction	316 stainless steel
Flow	Up to 270 GPM
Head Feet	Up to 460'
Impeller	9.95" enclosed, cast 316 stainless steel
Motor	Up to 40 HP
Drive Options	Close coupled 184TC, Close coupled 215TC, Close coupled 256TC, Close coupled 286TSC, Close coupled 324TS, Pedestal, PumPAK® (without motor)
Seal	Special seal material combinations available (consult factory), Standard carbon / ceramic / Viton
Options	Tap for recirculation or seal flush

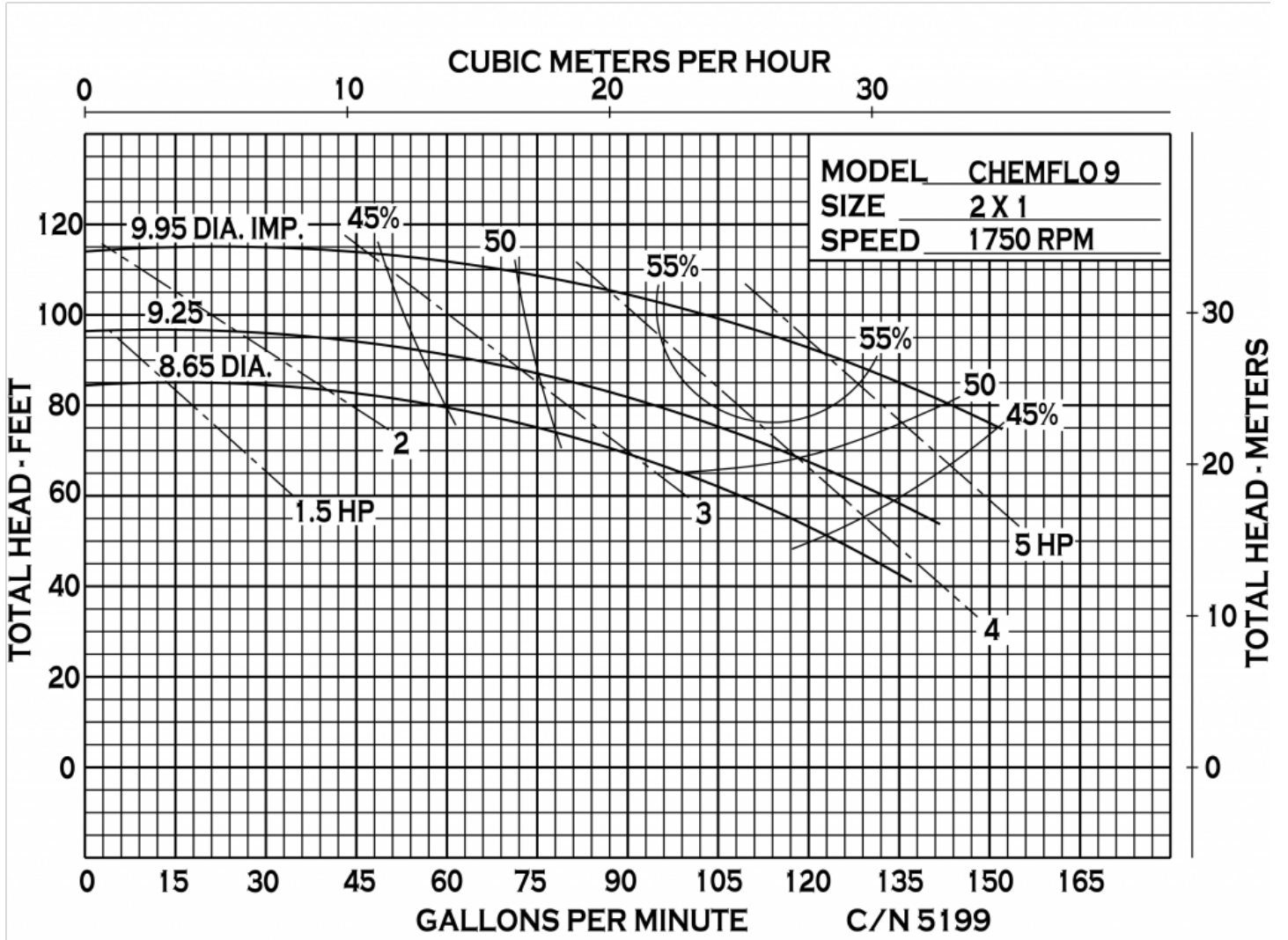
Application

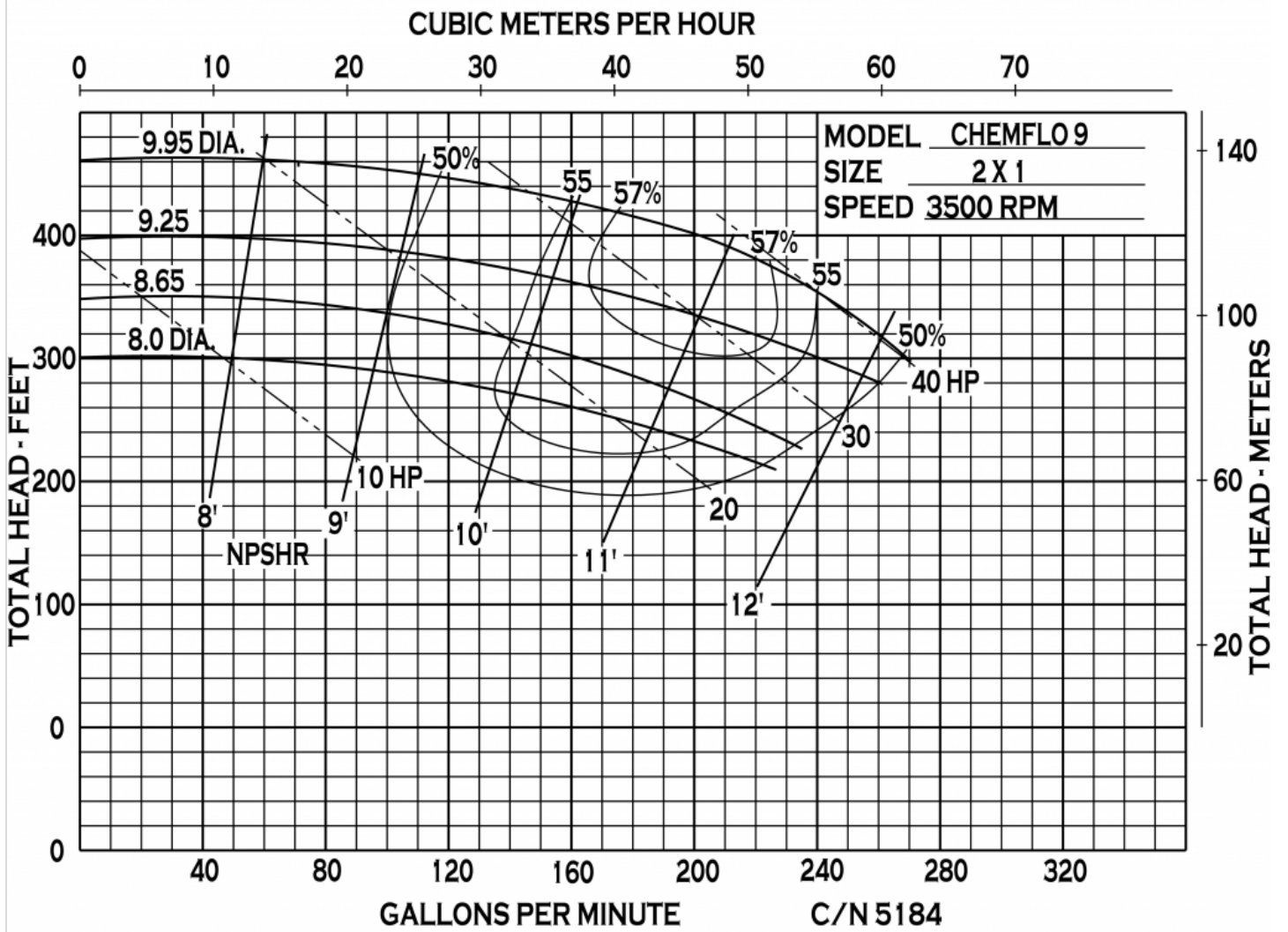
- Agricultural
- Commercial
- Industrial
- Marine
- OEM

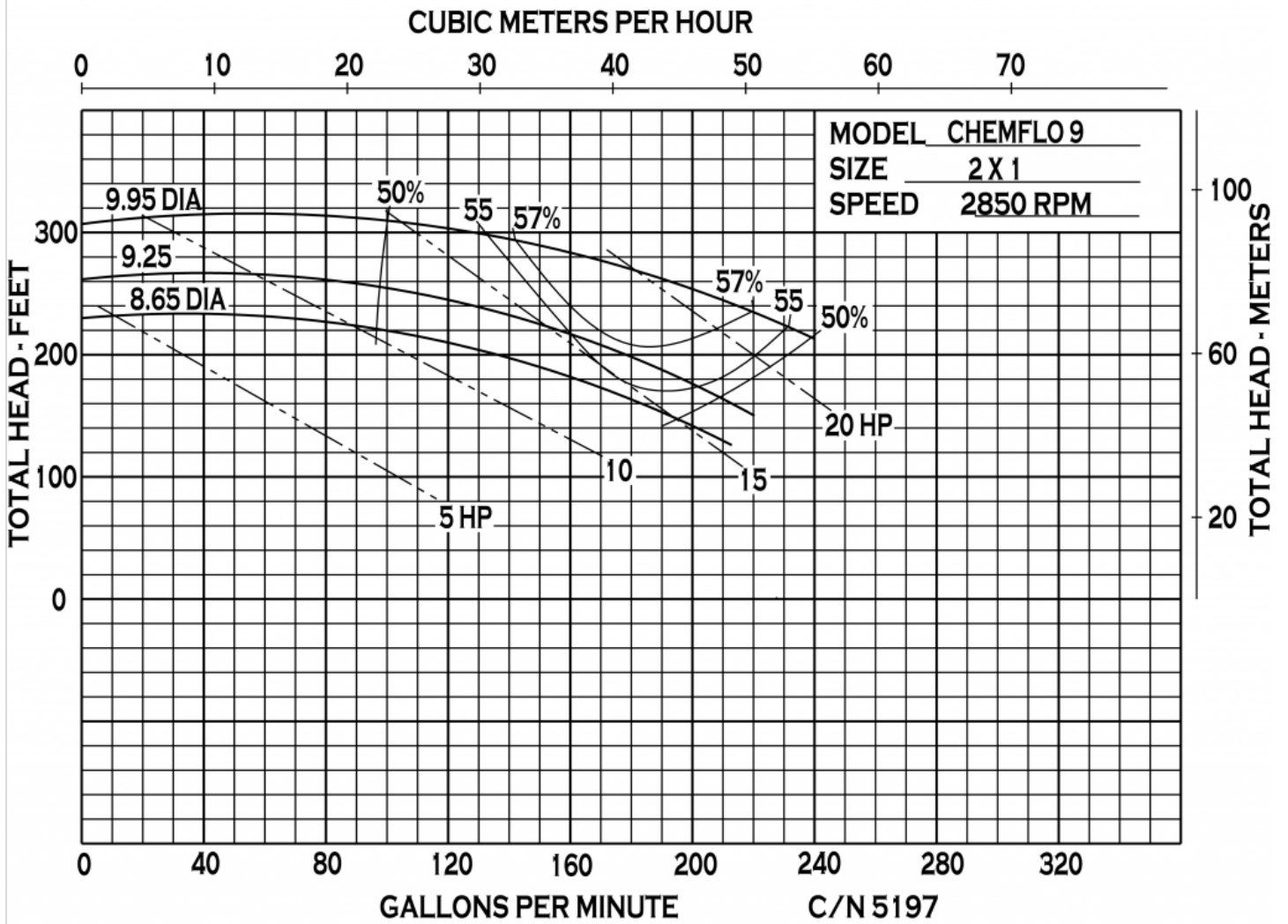
Drive Sleeve

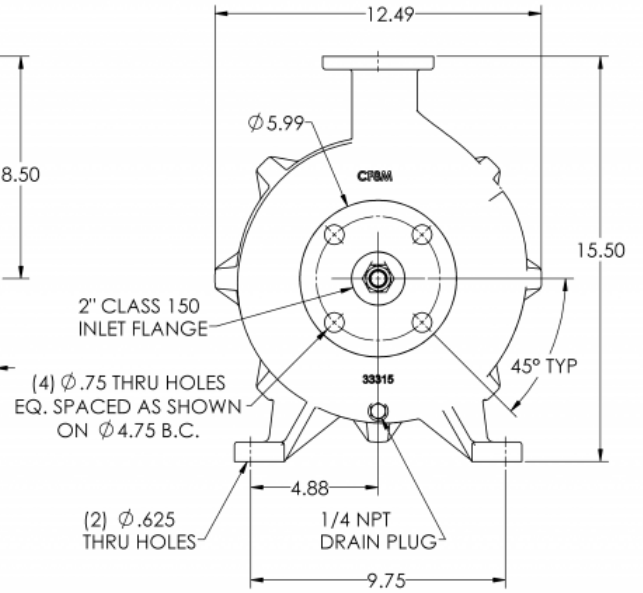
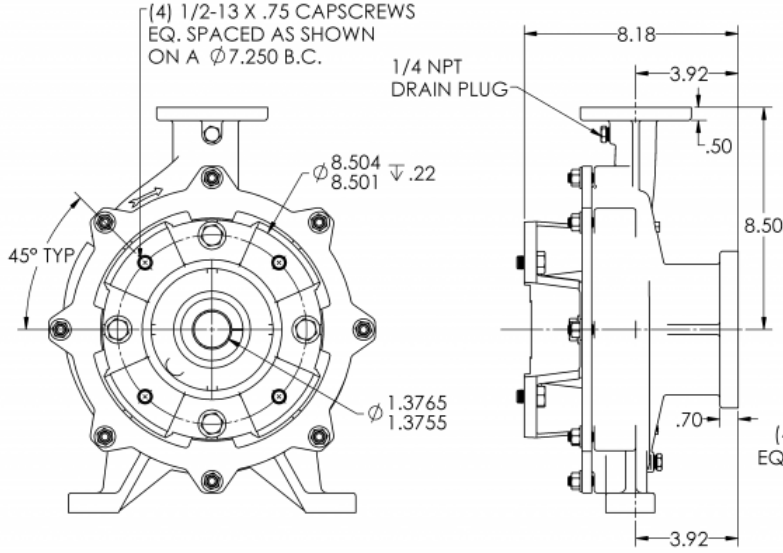
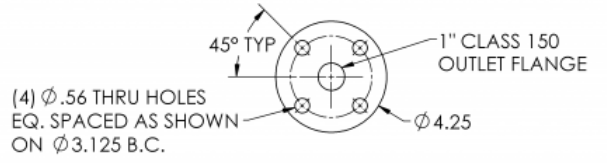
- 316 stainless steel



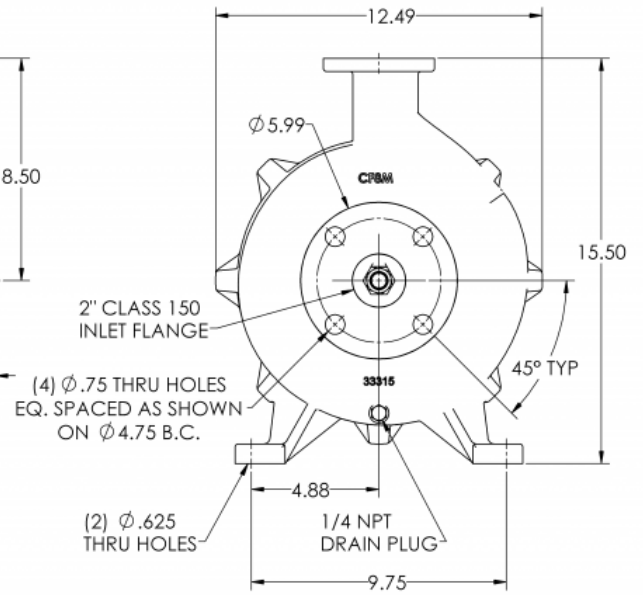
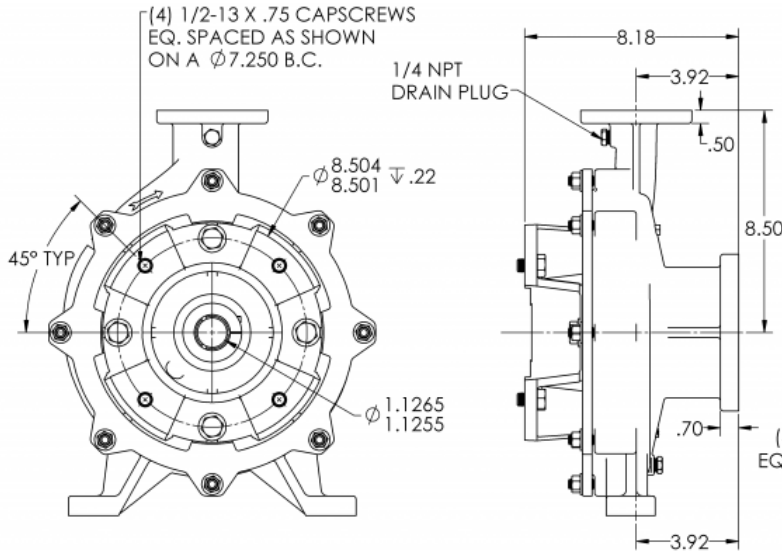
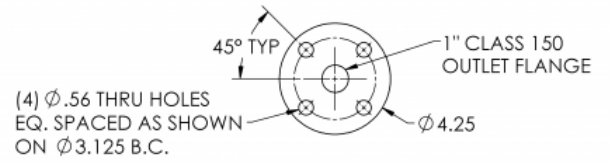




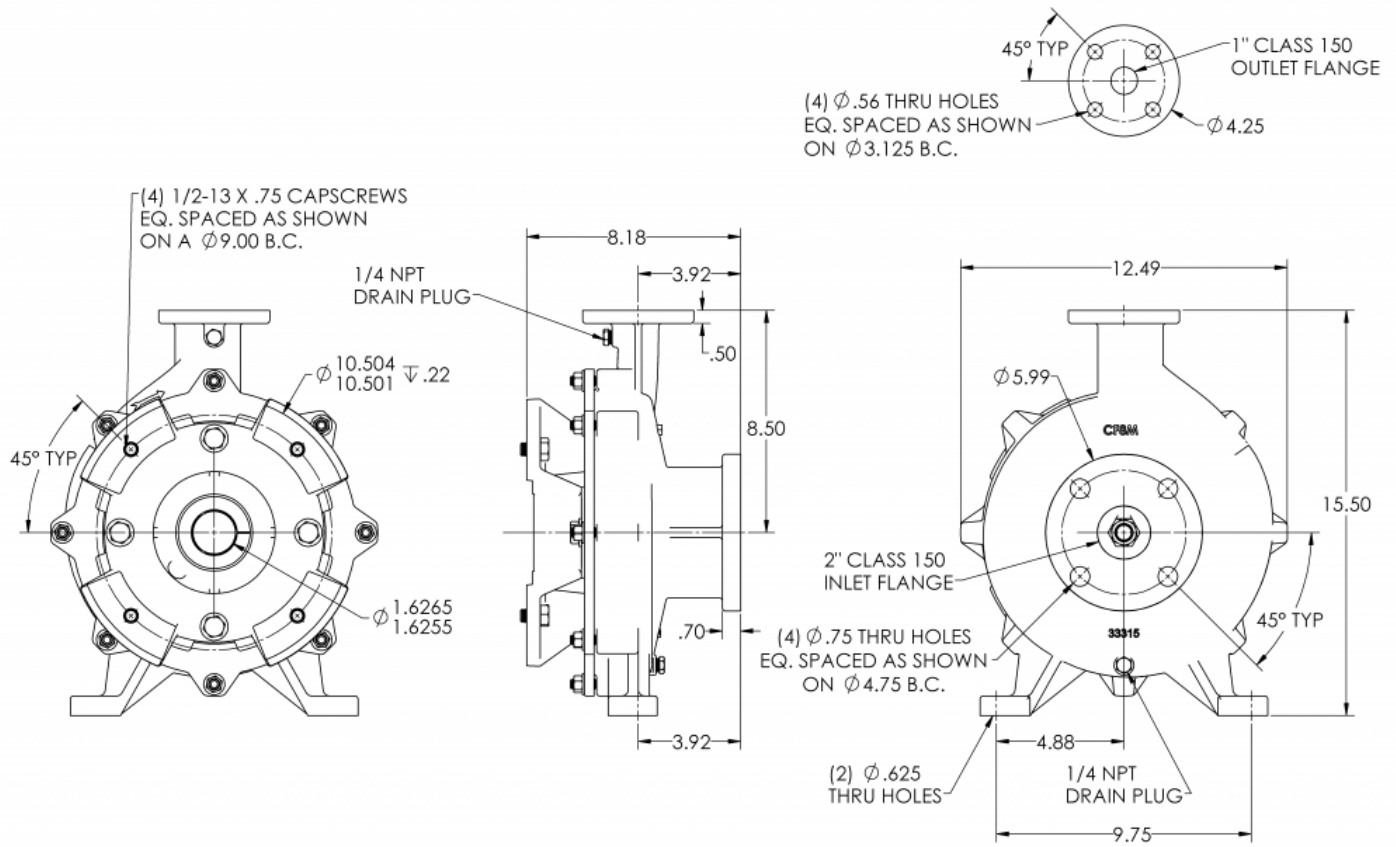




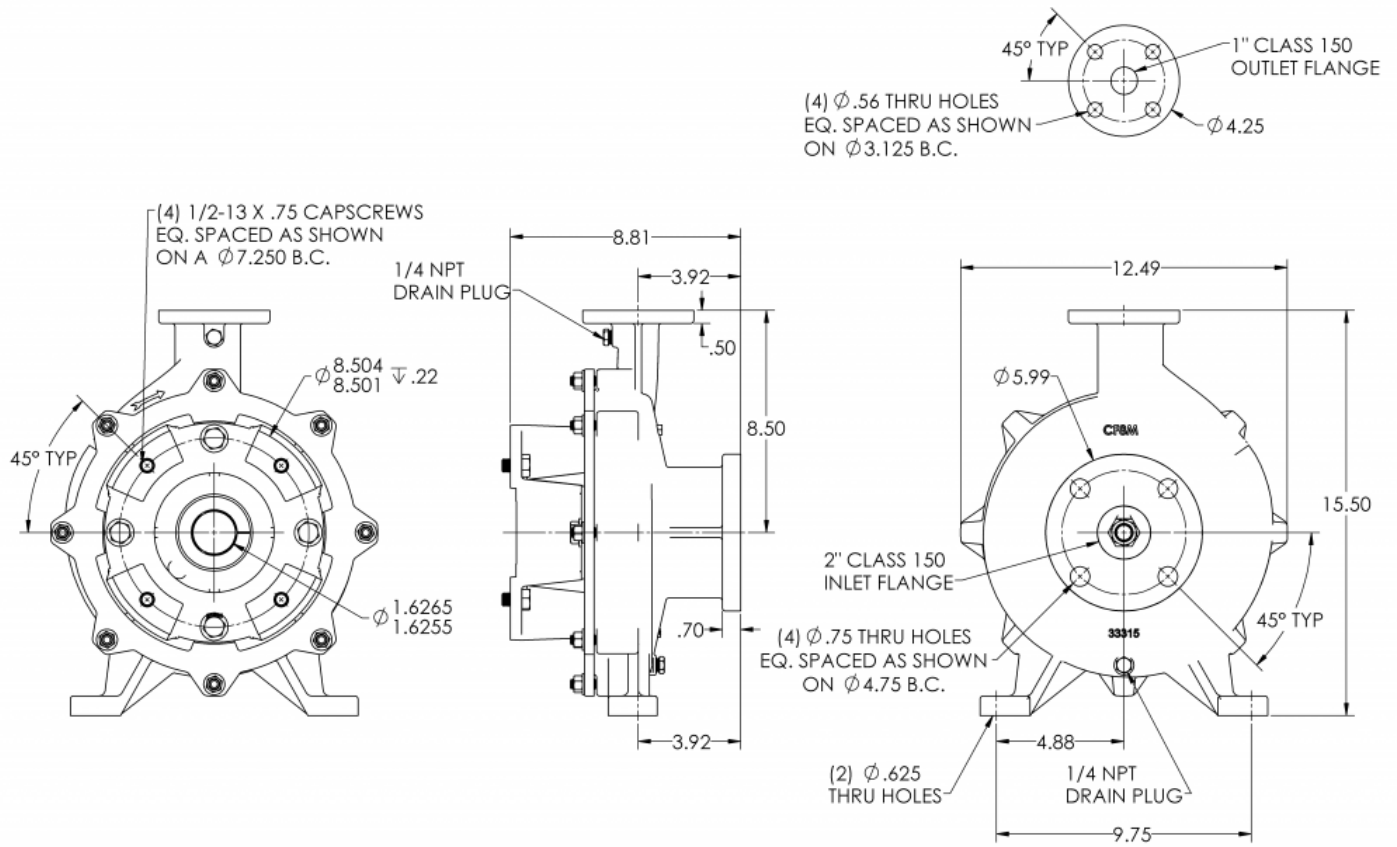
CF9 PUMPAK FOR 215TC



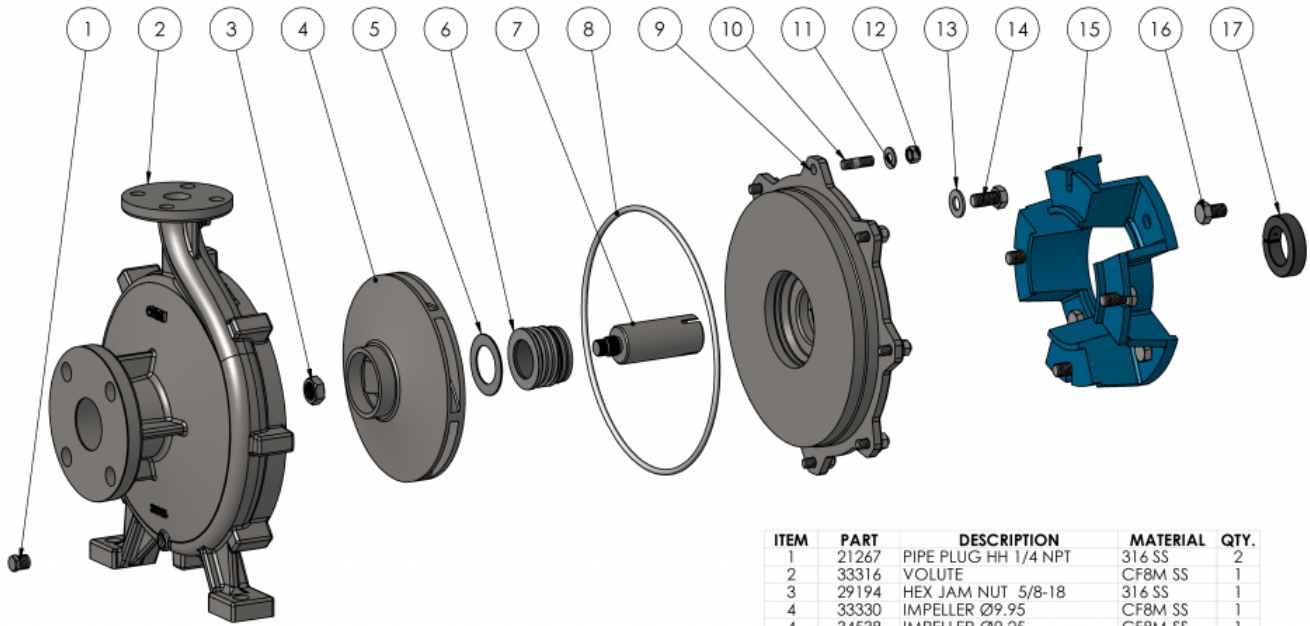
CF9 PUMPAK FOR 184TC



CF9 PUMPAK FOR 286TSC

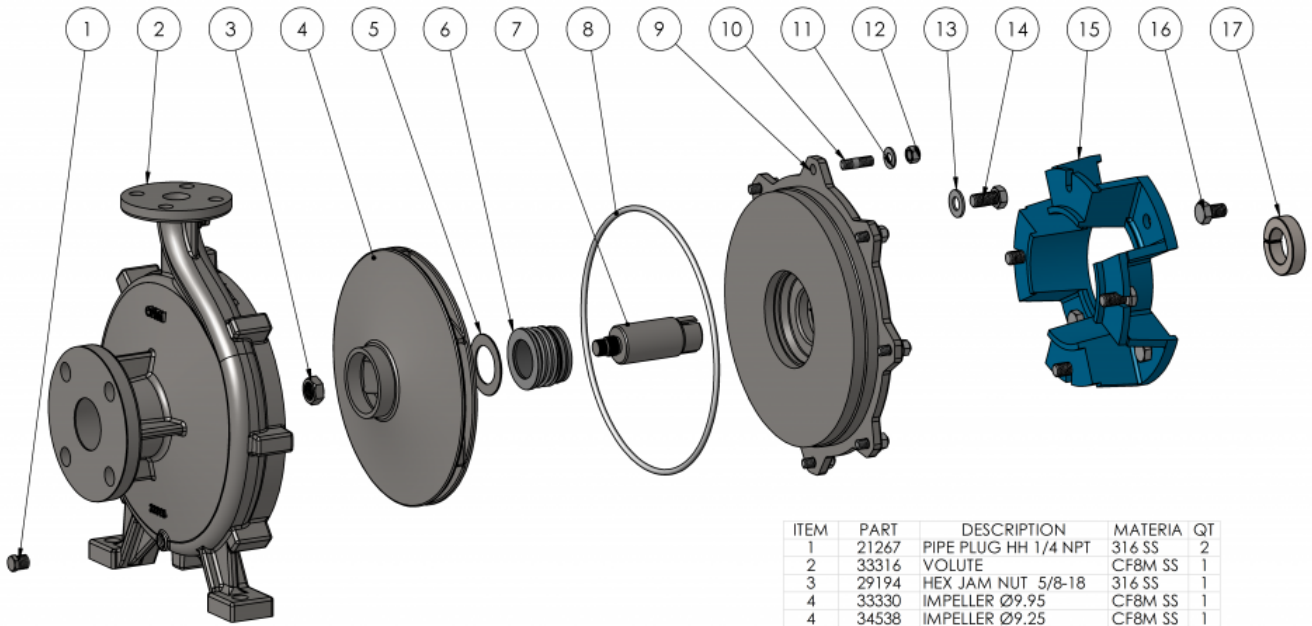


CF9 PUMPAK FOR 256TC



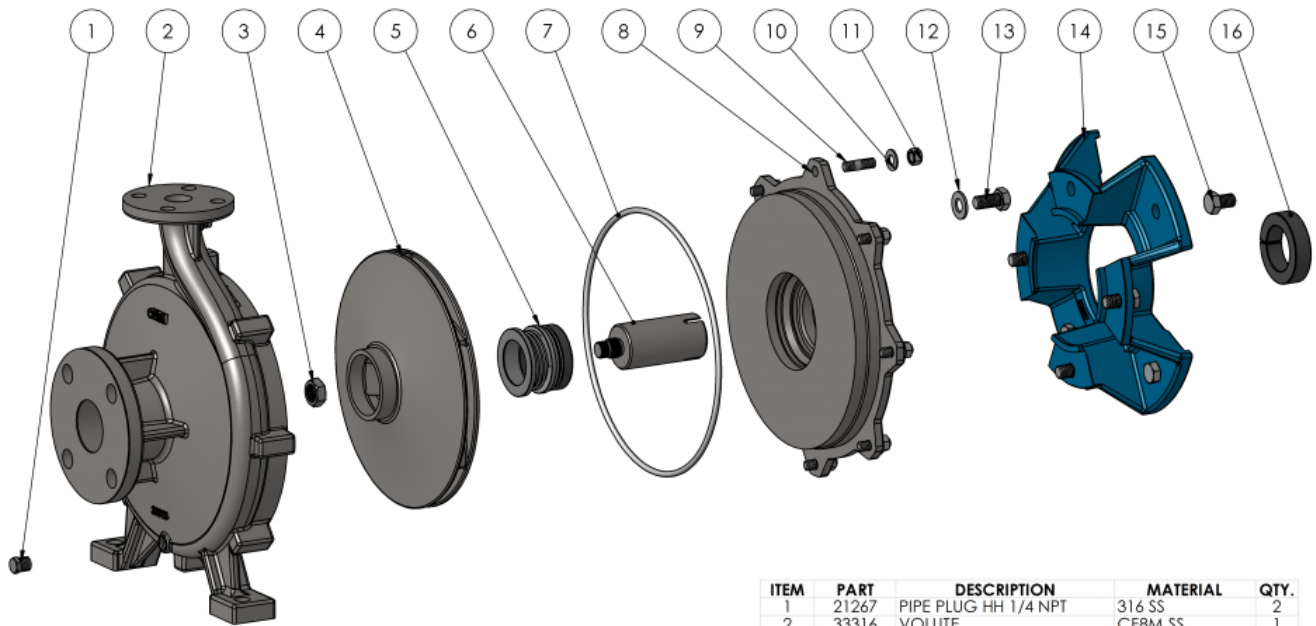
CF9 PUMPAK FOR 215TC

ITEM	PART	DESCRIPTION	MATERIAL	QTY.
1	21267	PIPE PLUG HH 1/4 NPT	316 SS	2
2	33316	VOLUTE	CF8M SS	1
3	29194	HEX JAM NUT 5/8-18	316 SS	1
4	33330	IMPELLER Ø9.95	CF8M SS	1
4	34538	IMPELLER Ø9.25	CF8M SS	1
4	34539	IMPELLER Ø8.65	CF8M SS	1
4	34540	IMPELLER Ø8.00	CF8M SS	1
5	31372	SHIM	316 SS	1
6	31347	SEAL ASSEMBLY 1.5"	STC/316 SS	1
6	31374	SEAL ASSEMBLY 1.5"	CCS VITON	1
6	28170	SEAL ASSEMBLY 1.5"	EPDM	1
6	26461	SEAL ASSEMBLY 1.5"	SSC	1
6	26565	SEAL ASSEMBLY 1.5"	CHEMLON	1
7	31311	DRIVE SLEEVE	316 SS	1
8	33324	O-RING	VITON	1
9	33320	SEAL HOUSING	CF8M SS	1
10	21260	STUD 3/8-16X1.32	304 SS	8
11	28053	FLAT WASHER	304 SS	8
12	21268	HEXNUT 3/8-16	304 SS	8
13	34350	FLAT WASHER 1.06X.50X.09	304 SS	4
14	33480	CAPSCREW 1/2-13X1.00	304 SS	4
15	31091	MOTOR ADAPTOR	CAST IRON	1
16	31235	CAPSCREW 1/2-13X3/4	304 SS	4
17	31312	CLAMP	STEEL	1



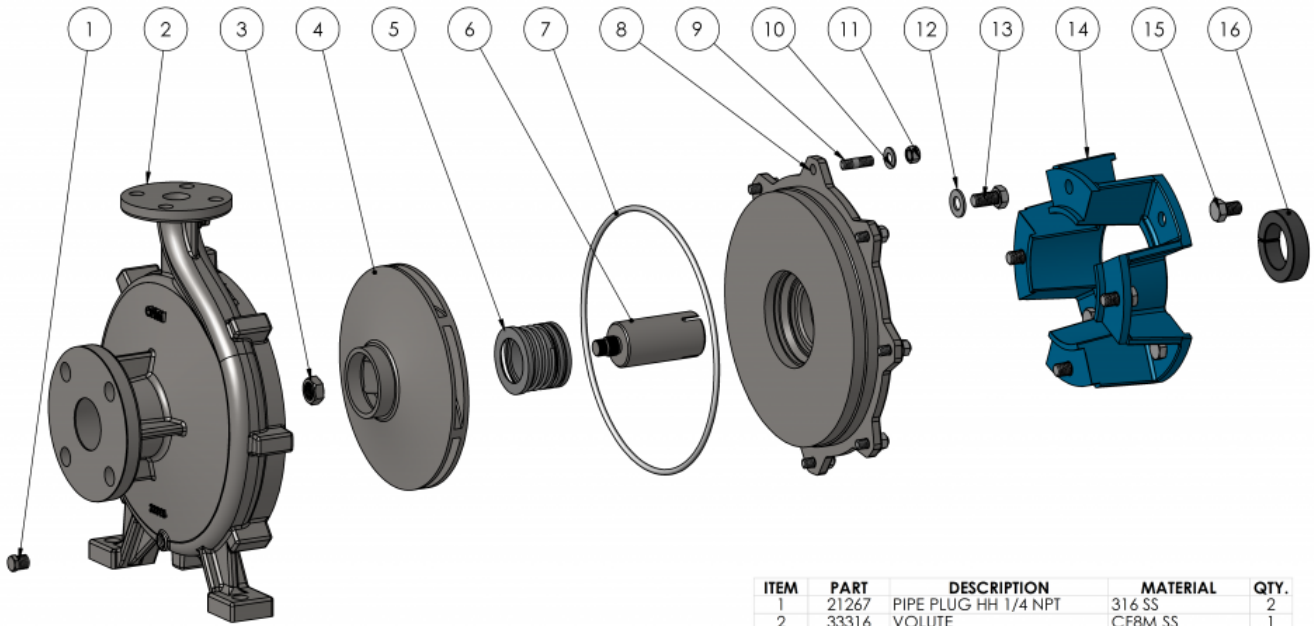
CF9 PUMPAK FOR 184TC

ITEM	PART	DESCRIPTION	MATERIA	QT
1	21267	PIPE PLUG HH 1/4 NPT	316 SS	2
2	33316	VOLUTE	CF8M SS	1
3	29194	HEX JAM NUT 5/8-18	316 SS	1
4	33330	IMPELLER Ø9.95	CF8M SS	1
4	34538	IMPELLER Ø9.25	CF8M SS	1
4	34539	IMPELLER Ø8.65	CF8M SS	1
4	34540	IMPELLER Ø8.00	CF8M SS	1
5	31372	SHIM	316 SS	1
6	31347	SEAL ASSEMBLY 1.5"	STC/316	1
6	31374	SEAL ASSEMBLY 1.5"	CCS	1
6	28170	SEAL ASSEMBLY 1.5"	EPDM	1
6	26461	SEAL ASSEMBLY 1.5"	SSC	1
6	26565	SEAL ASSEMBLY 1.5"	CHEMLO	1
7	31094	DRIVE SLEEVE	316 SS	1
8	33324	O-RING	VITON	1
9	33320	SEAL HOUSING	CF8M SS	1
10	21260	STUD 3/8-16X1.32	304 SS	8
11	28053	FLAT WASHER	304 SS	8
12	21268	HEXNUT 3/8-16	304 SS	8
13	34350	FLAT WASHER	304 SS	4
14	33480	CAPSCREW 1/2-	304 SS	4
15	31091	MOTOR ADAPTOR	CAST	1
16	31235	CAPSCREW 1/2-13X3/4	304 SS	4
17	31099	CLAMP	STEEL	1



ITEM	PART	DESCRIPTION	MATERIAL	QTY.
1	21267	PIPE PLUG HH 1/4 NPT	316 SS	2
2	33316	VOLUTE	CF8M SS	1
3	29194	HEX JAM NUT 5/8-18	316 SS	1
4	33330	IMPELLER Ø9.95	CF8M SS	1
4	34538	IMPELLER Ø9.25	CF8M SS	1
4	34539	IMPELLER Ø8.65	CF8M SS	1
4	34540	IMPELLER Ø8.00	CF8M SS	1
5	33326	SEAL ASSEMBLY 1.75"	CAR/CER/VITON	1
5	33327	SEAL ASSEMBLY 1.75"	STC	1
5	33328	SEAL ASSEMBLY 1.75"	CHEMLON	1
6	31833	DRIVE SLEEVE	316 SS	1
7	33324	O-RING	VITON	1
8	33321	SEAL HOUSING	CF8M SS	1
9	21260	STUD 3/8-16X1.32	304 SS	8
10	28053	FLAT WASHER	304 SS	8
11	21268	HEXNUT 3/8-16	304 SS	8
12	34350	FLAT WASHER 1.06X.50X.09	304 SS	4
13	33480	CAPSCREW 1/2-13X1.00	304 SS	4
14	33318	MOTOR ADAPTER	CAST IRON	1
15	31235	CAPSCREW 1/2-13X3/4	304 SS	4
16	33036	CLAMP	STEEL	1

CF9 PUMPAK FOR 286TSC



CF9 PUMPAK FOR 256TC

ITEM	PART	DESCRIPTION	MATERIAL	QTY.
1	21267	PIPE PLUG HH 1/4 NPT	316 SS	2
2	33316	VOLUTE	CF8M SS	1
3	29194	HEX JAM NUT 5/8-18	316 SS	1
4	33330	IMPELLER Ø9.95	CF8M SS	1
4	34538	IMPELLER Ø9.25	CF8M SS	1
4	34539	IMPELLER Ø8.65	CF8M SS	1
4	34540	IMPELLER Ø8.00	CF8M SS	1
5	33326	SEAL ASSEMBLY 1.75"	CAR/CER/VITON	1
5	33327	SEAL ASSEMBLY 1.75"	STC	1
5	33328	SEAL ASSEMBLY 1.75"	CHEMLON	1
6	31833	DRIVE SLEEVE	316 SS	1
7	33324	O-RING	VITON	1
8	33321	SEAL HOUSING	CF8M SS	1
9	21260	STUD 3/8-16X1.32	304 SS	8
10	28053	FLAT WASHER	304 SS	8
11	21268	HEXNUT 3/8-16	304 SS	8
12	34350	FLAT WASHER 1.06X.50X.09	304 SS	4
13	33480	CAPSCREW 1/2-13X1.00	304 SS	4
14	33444	MOTOR ADAPTOR	CAST IRON	1
15	31235	CAPSCREW 1/2-13X3/4	304 SS	4
16	33036	CLAMP	STEEL	1