

3 $\frac{1}{2}$ "

DIAMETER ENDLESS BELT



Here's an all-new clutch that can drive anything that is presently pulley driven. Perfect for rugged marine use, the CLUTCHPAK is protected by corrosion-resistant cadmium plating. There are no friction plates to wear out—nothing to adjust! Longer belt life is assured.

Shaft and bearing assembly features double-row bearings with inner raceways located directly on a hardened steel shaft. By eliminating the inner ring, a large shaft can be used, which not only adds rigidity to the bearing assembly but provides needed space for increased capacity as well. The wide outer ring allows greater straddle between ball rows for increased stability.

The CLUTCHPAK can be used wherever intermittent power is required. Just slide a standard MP pump end onto the CLUTCHPAK, and it is ready to use.

MODEL No. 24462
(Single groove)

MODEL No. 24463
(Double groove)

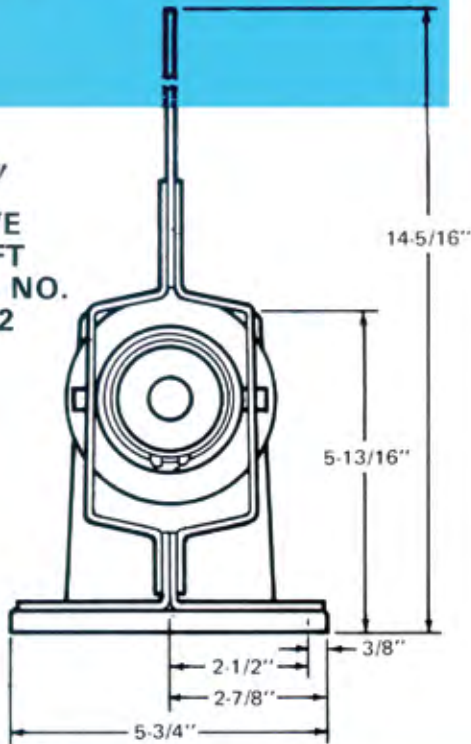


MP PUMPS, INC.

34800 BENNETT • FRASER, MI 48026-1686
(586) 293-8240 • FAX (586) 293-8469
(800) 563-8006 • www.mppumps.com

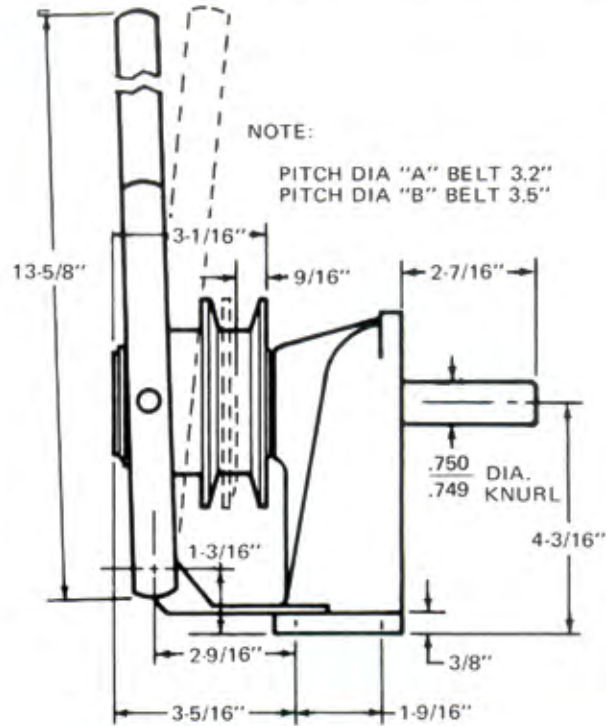
CLUTCHPAK

3/4" DRIVE SHAFT MODEL NO. 24462

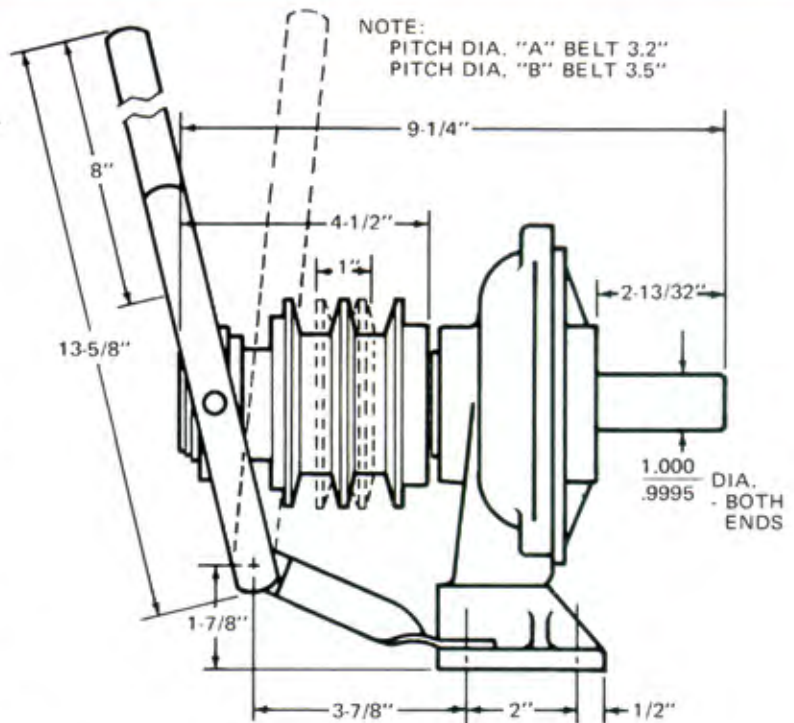
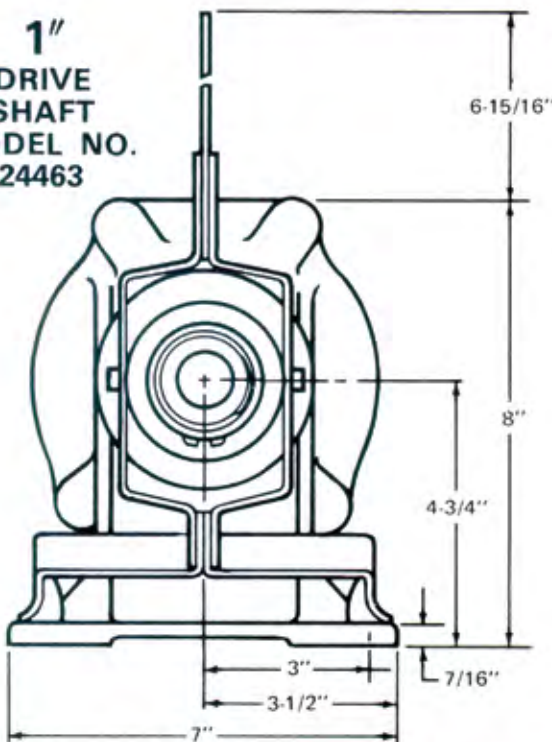


SPECIFICATIONS

MODEL NOS.	MATERIAL	PULLEY SIZE	SHIPPING WEIGHT
24462 (Single groove)	Cast Iron, Stainless & Bronze	3 1/2"	12 lbs.
24463 (Double groove)	Cast Iron, Stainless & Bronze	3 1/2"	22 lbs.



1" DRIVE SHAFT MODEL NO. 24463



MP PUMPS, INC.

34800 BENNETT • FRASER, MI 48026-1686
 (586) 293-8240 • FAX (586) 293-8469
 (800) 563-8006 • www.mppumps.com