



CHEMFLO® 7 CC

2" x 1" End Suction Centrifugal Pump

Made with high quality investment cast 316 stainless steel components, the ChemFlo® series of pumps are designed to be applied in a wide range of pumping applications where stainless steel is required.

The ChemFlo® 7 pumps utilize an enclosed impeller designed for achieving higher heads and efficiencies than a standard semi-open impeller. Multiple impeller trims allow the ChemFlo® 7 to meet most duty points up to 200 GPM and total head up to 280 feet. Several mechanical seal options are available in addition to the standard type 2100 carbon / ceramic / Viton mechanical seal.

ChemFlo® 7 pumps are offered in two configurations, pump (with motor) and PumPAK® (without motor) versions. Motors available are 145TC, 184TC, 215TC, and 256TC. If ordering a PumPAK please note that the electric motor must have a base.



Application

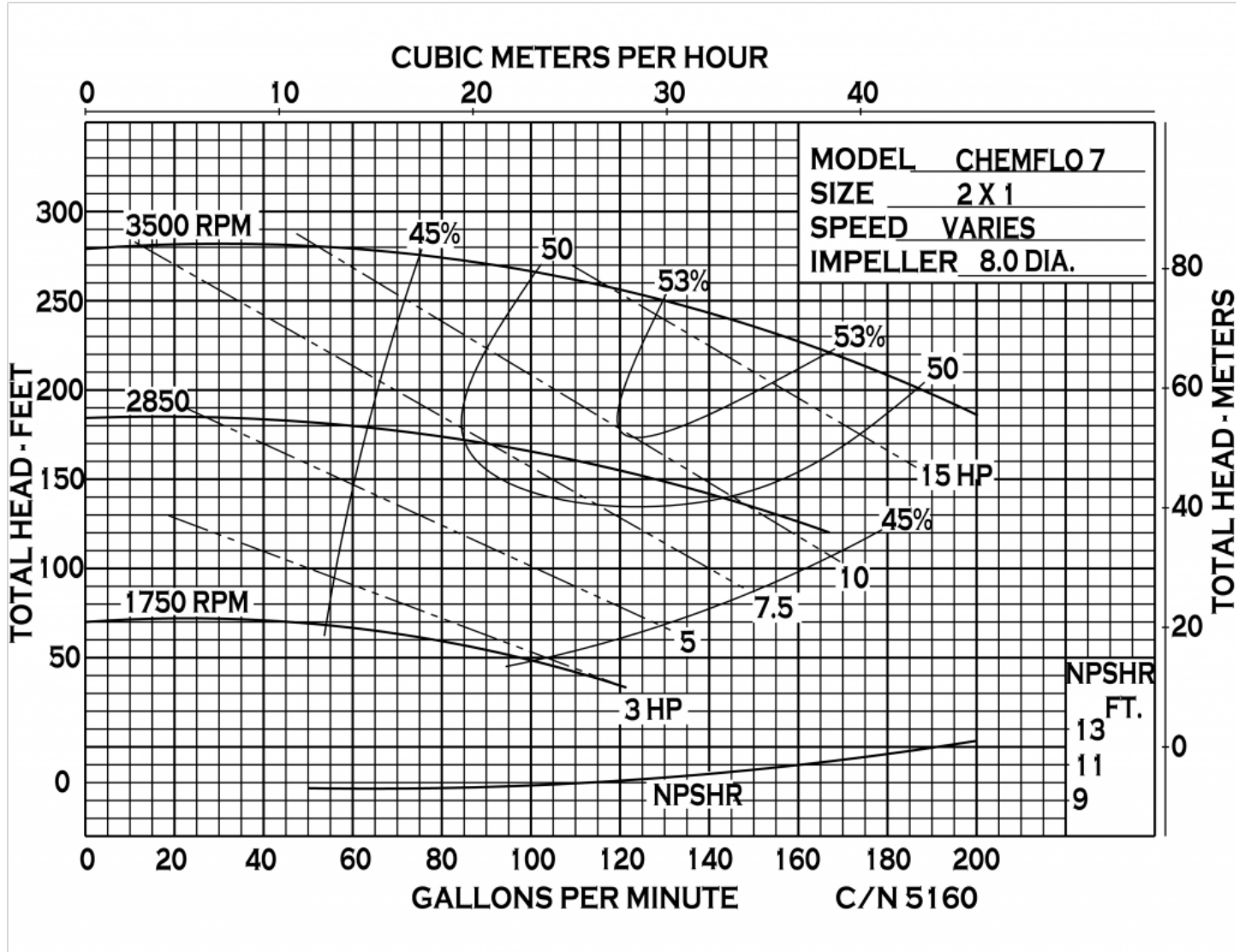
- Agricultural
- Commercial
- Industrial
- Marine
- OEM

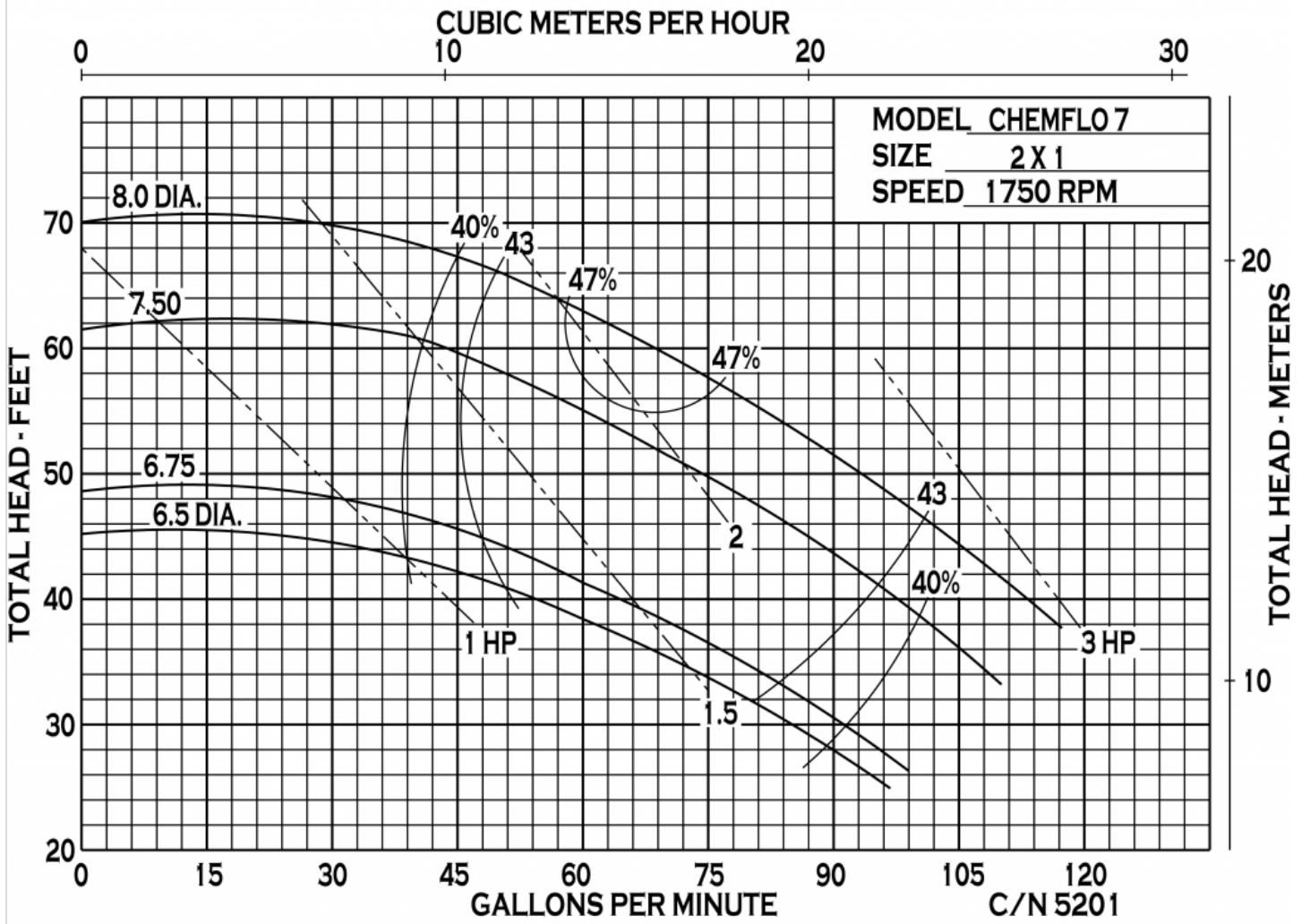
Drive Sleeve

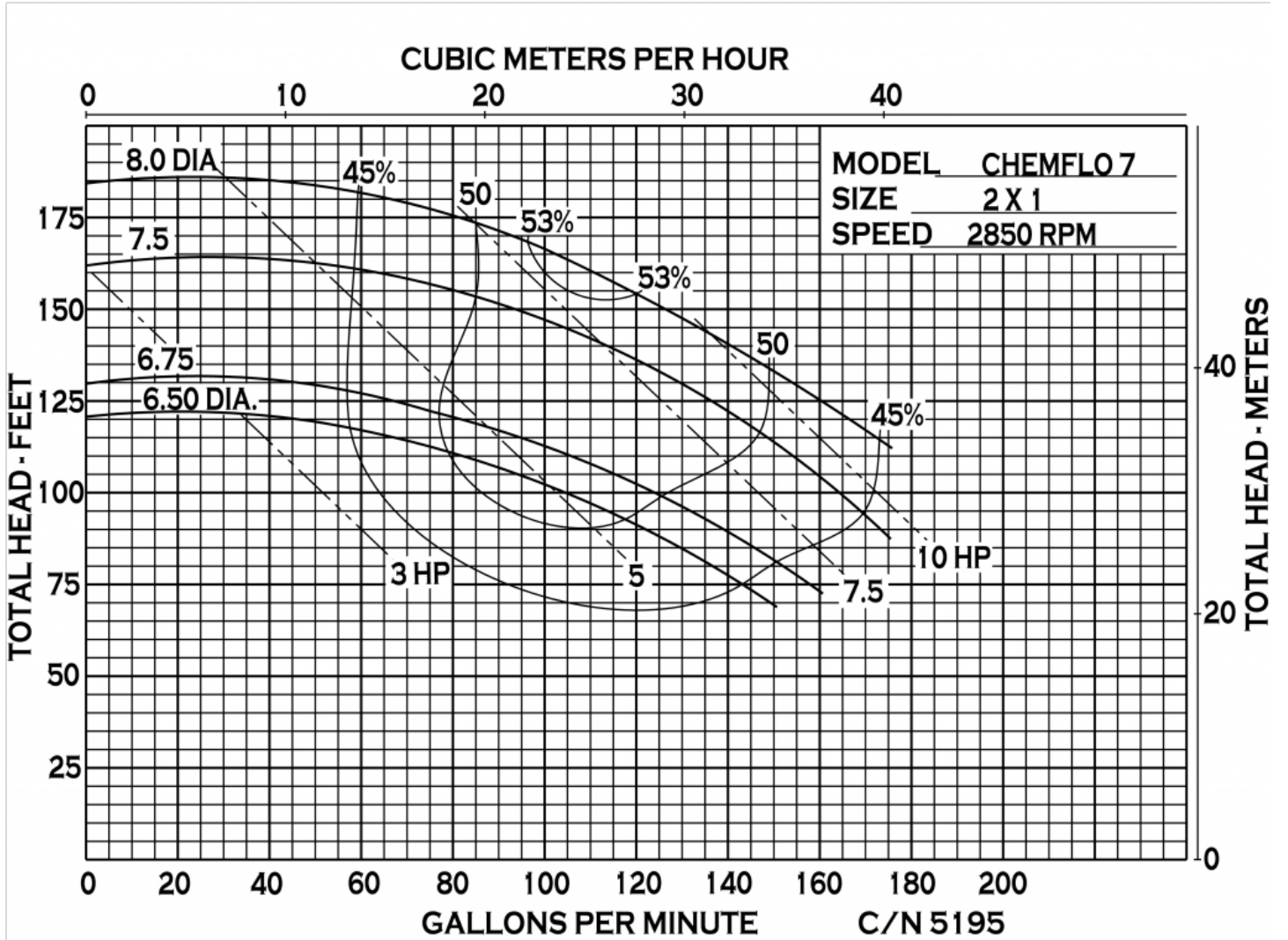
- 316 stainless steel

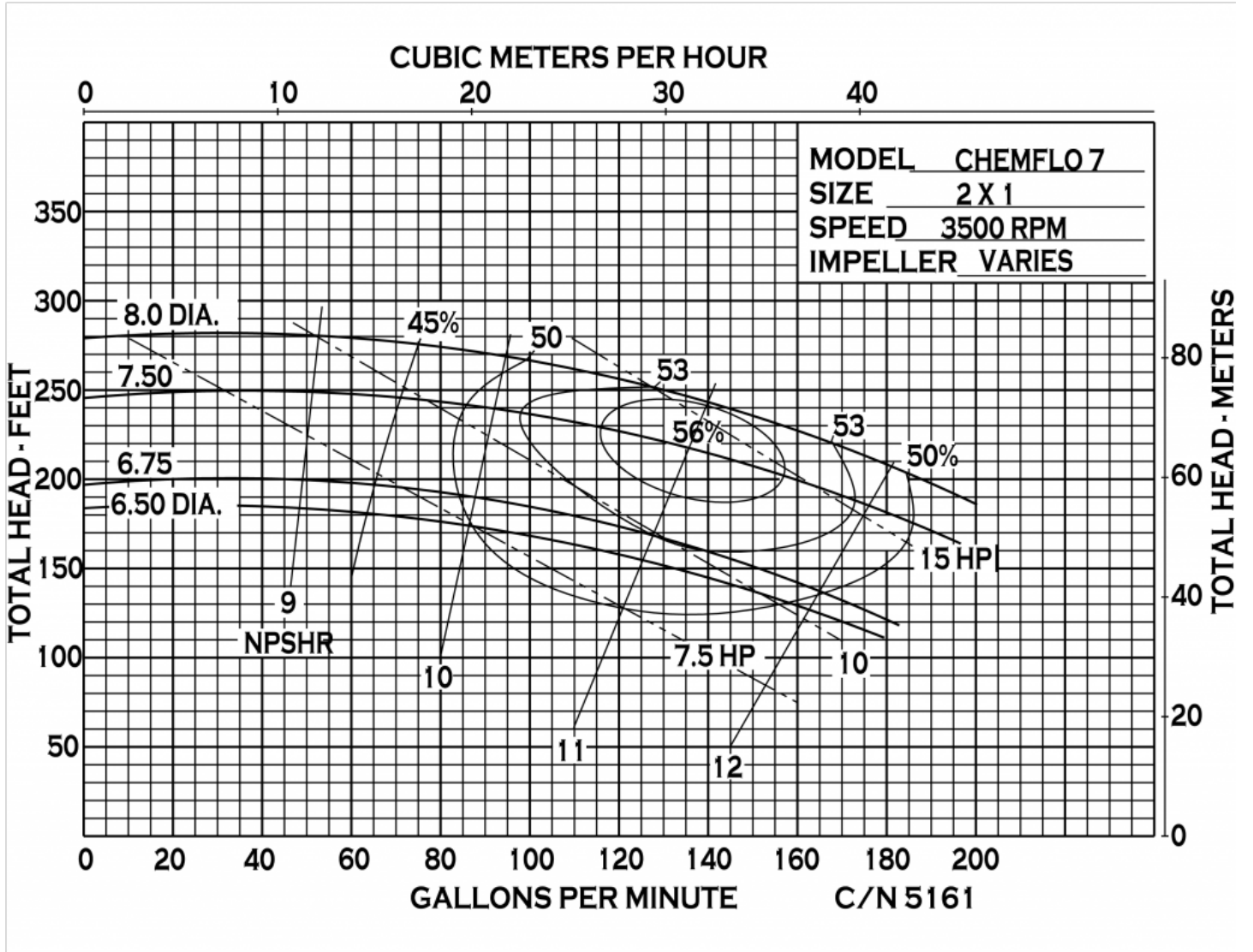
SPECIFICATIONS:

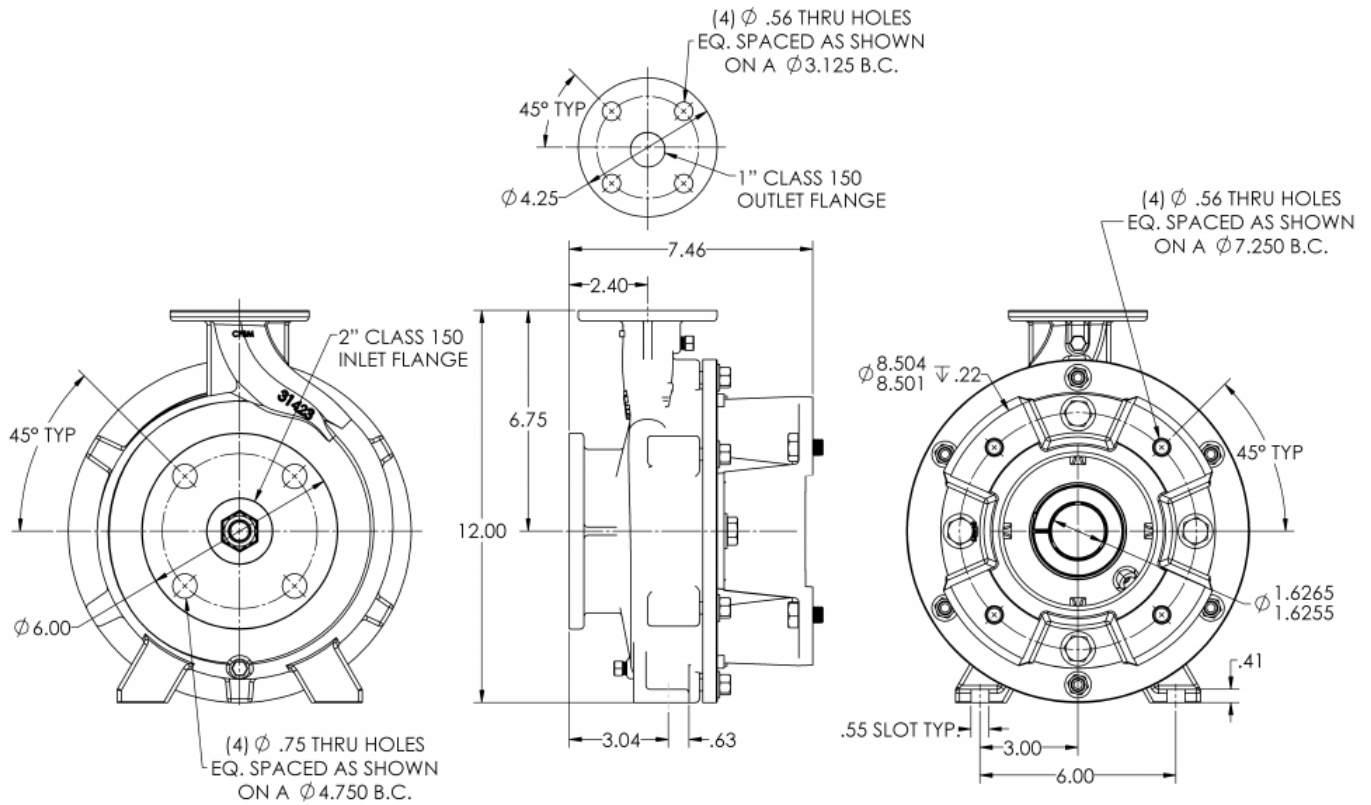
Suction And Discharge	2" x 1" 150# ANSI flange
Materials Of Construction	316 stainless steel
Flow	Up to 200 GPM
Head Feet	Up to 280'
Impeller	8.0" enclosed, cast 316 SS
Motor	Up to 15 HP
Drive Options	Close coupled 184TC, Close coupled 215TC, Close coupled 256TC, Close coupled 145TC, Pedestal, PumPAK® (without motor)
Seal	Special seal material combinations available (consult factory), Standard carbon / ceramic / Viton
Options	Tap for recirculation or seal flush, Hydraulic motor driven pedestals and shaft driven pedestals



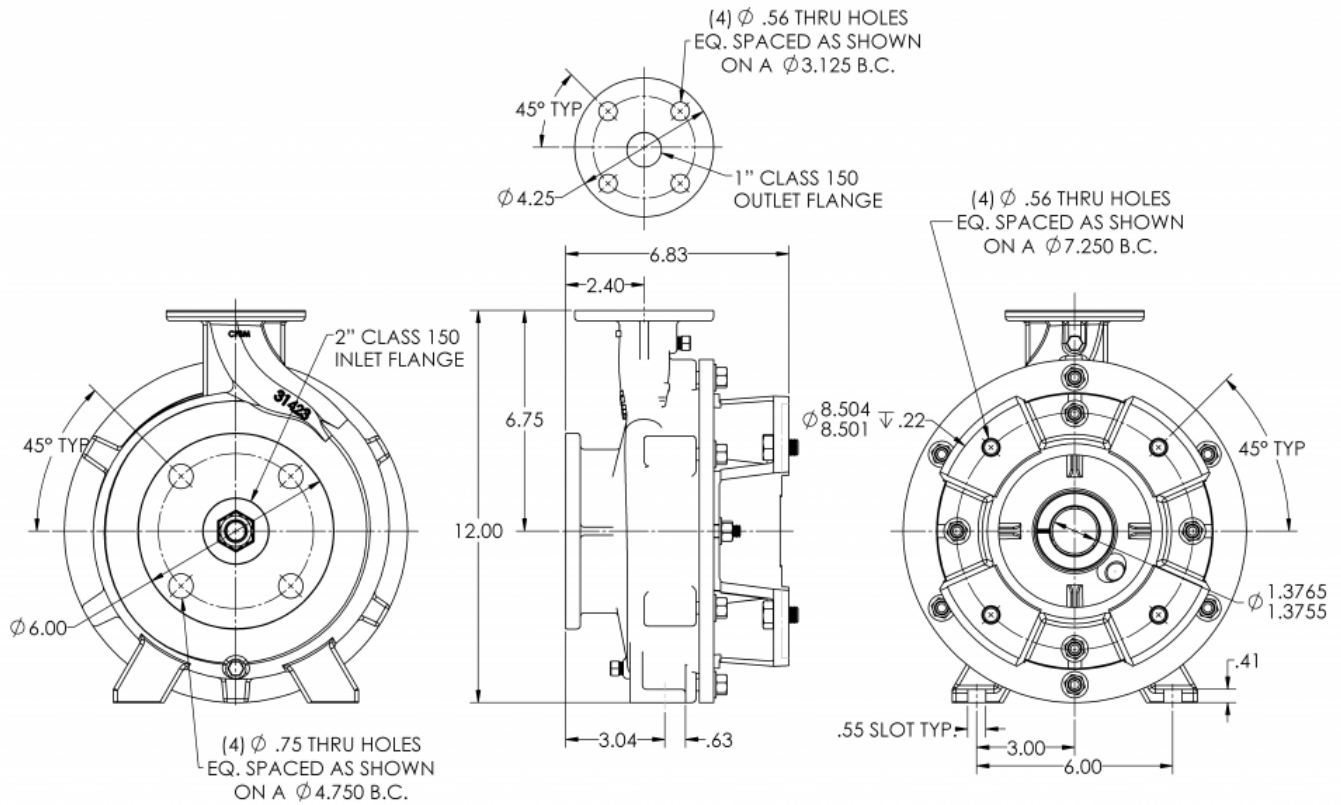




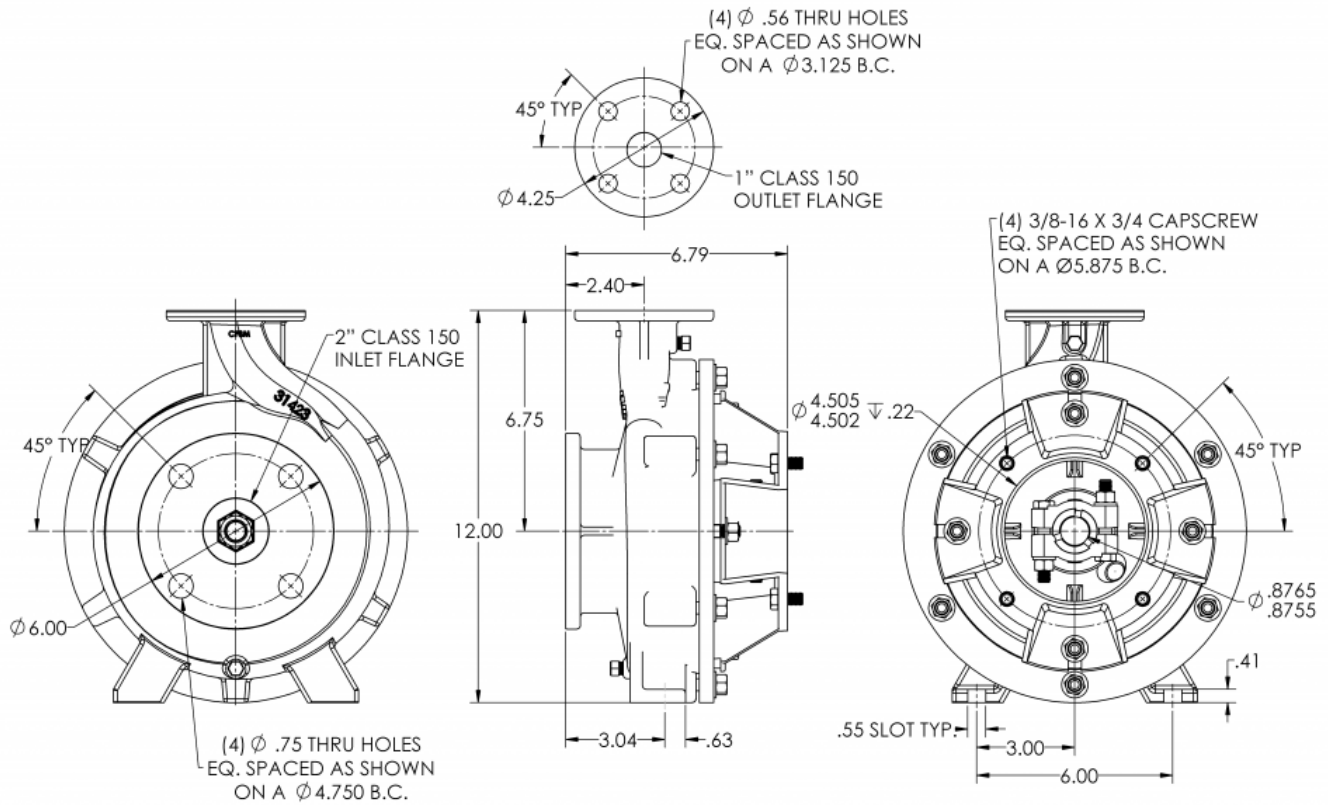




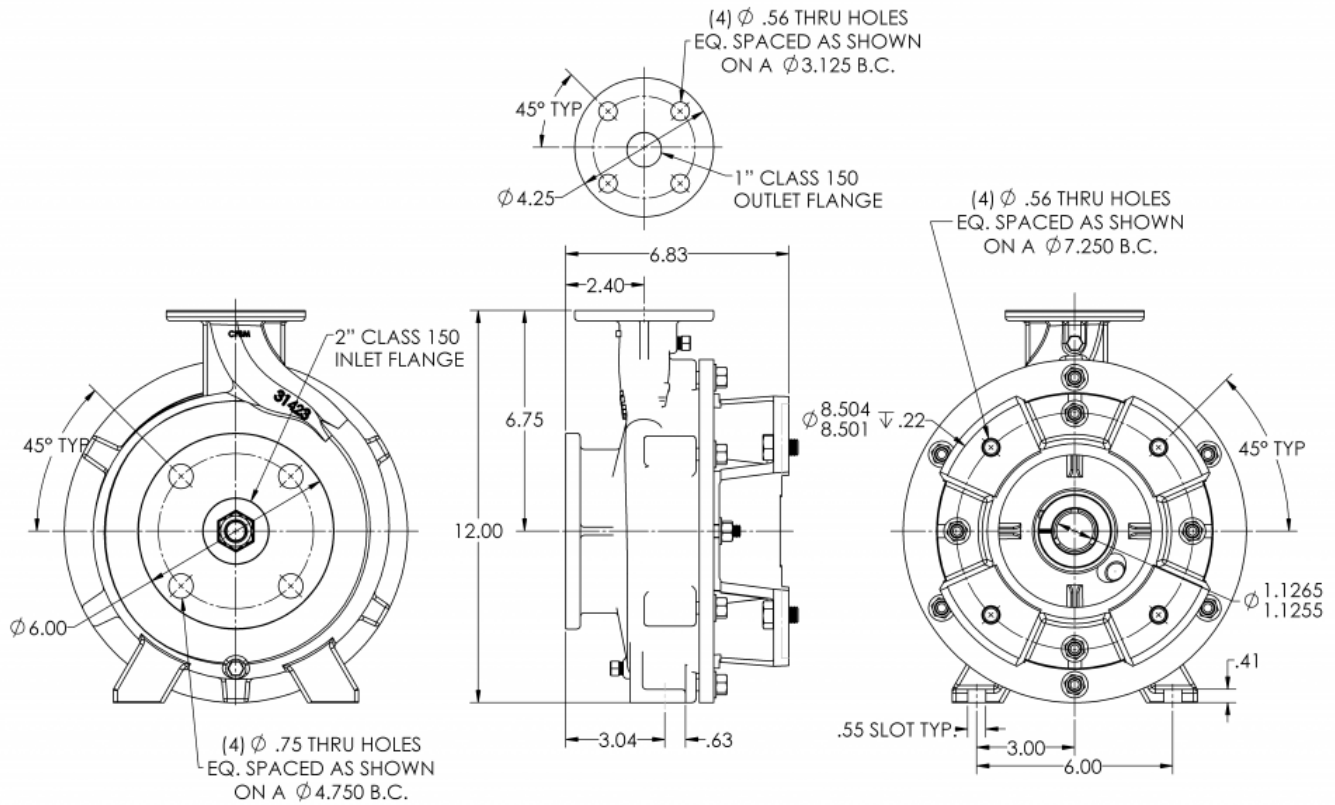
CF7 PUMPAK FOR 256TC



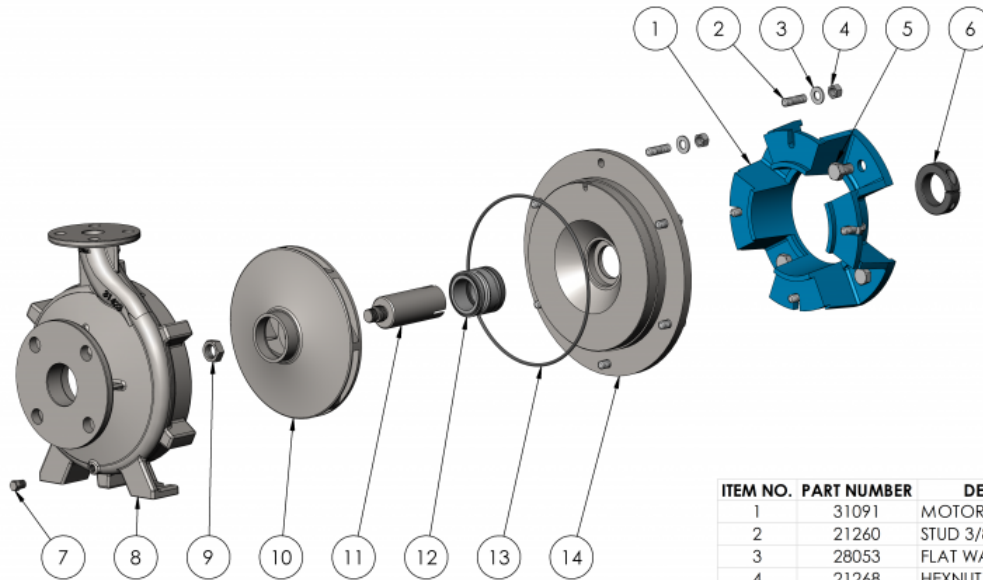
CF7 PUMPAK FOR 215TC



CF7 PUMPAK FOR 145TC

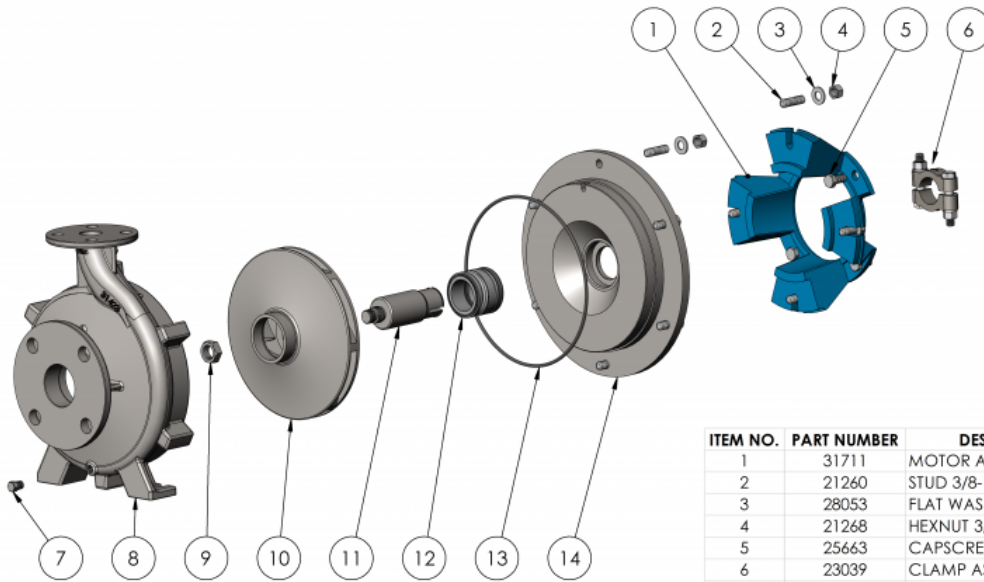


CF7 PUMPAK FOR 184TC



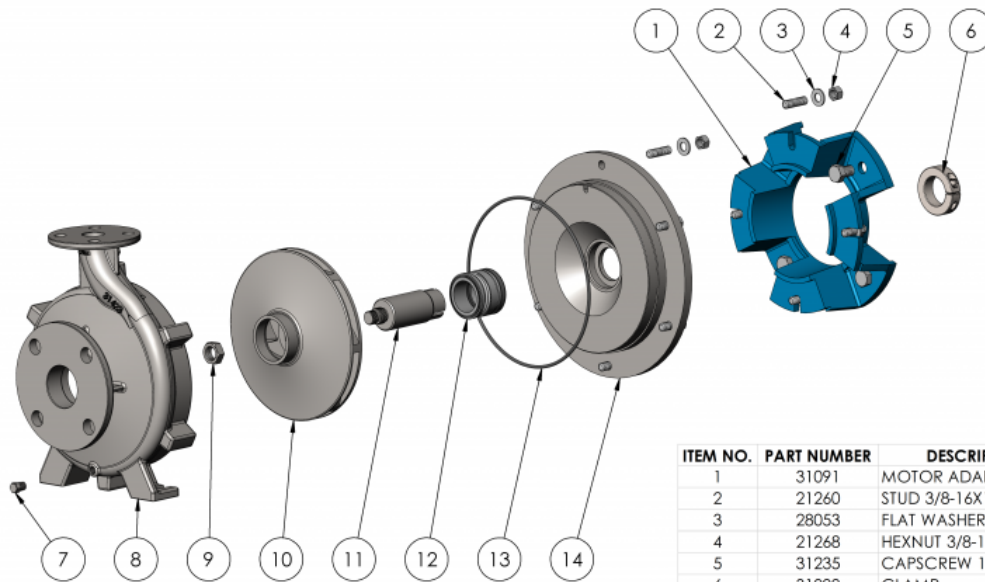
ITEM NO.	PART NUMBER	DESCRIPTION	MATERIAL	QTY.
1	31091	MOTOR ADAPTOR	CAST IRON	1
2	21260	STUD 3/8-16X1.32	304 SS	10
3	28053	FLAT WASHER	304 SS	10
4	21268	HEXNUT 3/8-16	304 SS	10
5	31235	CAPSCREW 1/2-13X3/4	304 SS	4
6	31312	CLAMP	STEEL	1
7	21255	PIPE PLUG 1/8" NPT	316 SS	2
8	31424	VOLUTE	CF8M SS	1
9	29194	HEX JAM NUT 5/8-18	316 SS	1
10	31429	IMPELLER Ø7.95	CF8M SS	1
10	31953	IMPELLER Ø7.50	CF8M SS	1
10	31954	IMPELLER Ø6.75	CF8M SS	1
10	31955	IMPELLER Ø6.50	CF8M SS	1
11	31311	DRIVE SLEEVE	316 SS	1
12	31347	SEAL ASSEMBLY 1.5"	STC/316 SS	1
12	31374	SEAL ASSEMBLY 1.5"	CCS VITON	1
12	28170	SEAL ASSEMBLY 1.5"	EPDM	1
12	26461	SEAL ASSEMBLY 1.5"	SSC	1
12	26565	SEAL ASSEMBLY 1.5"	CHEMLON	1
13	31430	O-RING AS-568-265	VITON	1
13	39262	O-RING AS-568-265	EPDM	1
13	39411	O-RING AS-568-265	BUNA	1
14	31426	SEAL HOUSING	CF8M SS	1

CF7 PUMPAK FOR 215TC



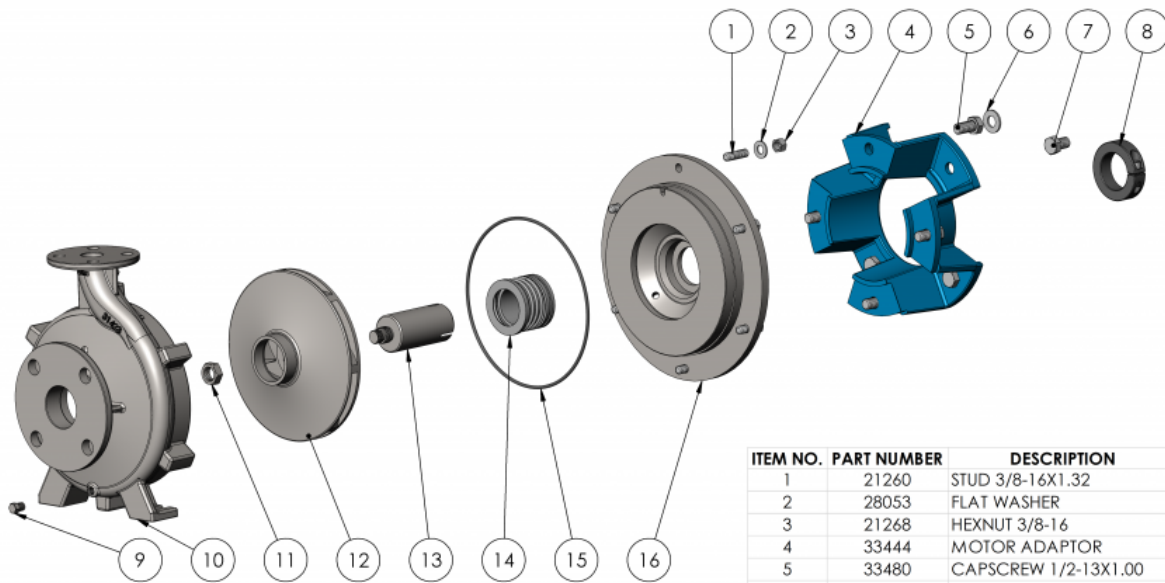
ITEM NO.	PART NUMBER	DESCRIPTION	MATERIAL	QTY.
1	31711	MOTOR ADAPTER	CAST IRON	1
2	21260	STUD 3/8-16X1.32	304 SS	10
3	28053	FLAT WASHER	304 SS	10
4	21268	HEXNUT 3/8-16	304 SS	10
5	25663	CAPSCREW 3/8-16 X 3/4	304 SS	4
6	23039	CLAMP ASSEMBLY	303 SS	1
7	21255	PIPE PLUG 1/8" NPT	316 SS	2
8	31424	VOLUTE	CF8M SS	1
9	29194	HEX JAM NUT 5/8-18	316 SS	1
10	31429	IMPELLER Ø7.95	CF8M SS	1
10	31953	IMPELLER Ø7.50	CF8M SS	1
10	31954	IMPELLER Ø6.75	CF8M SS	1
10	31955	IMPELLER Ø6.50	CF8M SS	1
11	31806	DRIVE SLEEVE	316 SS	1
12	31347	SEAL ASSEMBLY 1.5"	STC/316 SS	1
12	31374	SEAL ASSEMBLY 1.5"	CCS VITON	1
12	28170	SEAL ASSEMBLY 1.5"	EPDM	1
12	26461	SEAL ASSEMBLY 1.5"	SSC	1
12	26565	SEAL ASSEMBLY 1.5"	CHEMLON	1
13	31430	O-RING AS-568-265	VITON	1
13	39262	O-RING AS-568-265	EPDM	1
13	39411	O-RING AS-568-265	BUNA	1
14	31426	SEAL HOUSING	CF8M SS	1

CF7 PUMPAK FOR 145TC



ITEM NO.	PART NUMBER	DESCRIPTION	MATERIAL	QTY.
1	31091	MOTOR ADAPTOR	CAST IRON	1
2	21260	STUD 3/8-16X1.32	304 SS	10
3	28053	FLAT WASHER	304 SS	10
4	21268	HEXNUT 3/8-16	304 SS	10
5	31235	CAPSCREW 1/2-13X3/4	304 SS	4
6	31099	CLAMP	STEEL	1
7	21255	PIPE PLUG 1/8" NPT	316 SS	2
8	31424	VOLUTE	CF8M SS	1
9	29194	HEX JAM NUT 5/8-18	316 SS	1
10	31429	IMPELLER Ø7.95	CF8M SS	1
10	31953	IMPELLER Ø7.50	CF8M SS	1
10	31954	IMPELLER Ø6.75	CF8M SS	1
10	31955	IMPELLER Ø6.50	CF8M SS	1
11	31347	SEAL ASSEMBLY 1.5"	STC/316 SS	1
11	31374	SEAL ASSEMBLY 1.5"	CCS VITON	1
11	28170	SEAL ASSEMBLY 1.5"	EPDM	1
11	26461	SEAL ASSEMBLY 1.5"	SSC	1
11	26565	SEAL ASSEMBLY 1.5"	CHEMLON	1
12	31374	SEAL ASSEMBLY	CCS VITON	1
13	31430	O-RING AS-568-265	VITON	1
13	39262	O-RING AS-568-265	EPDM	1
13	39411	O-RING AS-568-265	BUNA	1
14	31426	SEAL HOUSING	CF8M SS	1

CF7 PUMPAK FOR 184TC



ITEM NO.	PART NUMBER	DESCRIPTION	MATERIAL	QTY.
1	21260	STUD 3/8-16X1.32	304 SS	6
2	28053	FLAT WASHER	304 SS	6
3	21268	HEXNUT 3/8-16	304 SS	6
4	33444	MOTOR ADAPTOR	CAST IRON	1
5	33480	CAPSCREW 1/2-13X1.00	304 SS	4
6	34350	FLAT WASHER 1.06X.50X.09	304 SS	4
7	31235	CAPSCREW 1/2-13X3/4	304 SS	4
8	33036	CLAMP ASSEMBLY	STEEL	1
9	21255	PIPE PLUG 1/8" NPT	316 SS	2
10	31424	VOLUTE	CF8M SS	1
11	29194	HEX JAM NUT 5/8-18	316 SS	1
12	31429	IMPELLER Ø7.95	CF8M SS	1
12	31953	IMPELLER Ø7.50	CF8M SS	1
12	31954	IMPELLER Ø6.75	CF8M SS	1
12	31955	IMPELLER Ø6.50	CF8M SS	1
13	31833	DRIVE SLEEVE	316 SS	1
14	33327	SEAL ASSEMBLY 1.75"	STC	1
14	33328	SEAL ASSEMBLY 1.75"	CHEMLON	1
15	31430	O-RING AS-568-265	VITON	1
15	39262	O-RING AS-568-265	EPDM	1
15	39411	O-RING AS-568-265	BUNA	1
16	38130	SEAL HOUSING	CF8M SS	1

CF7 PUMPAK FOR 256TC